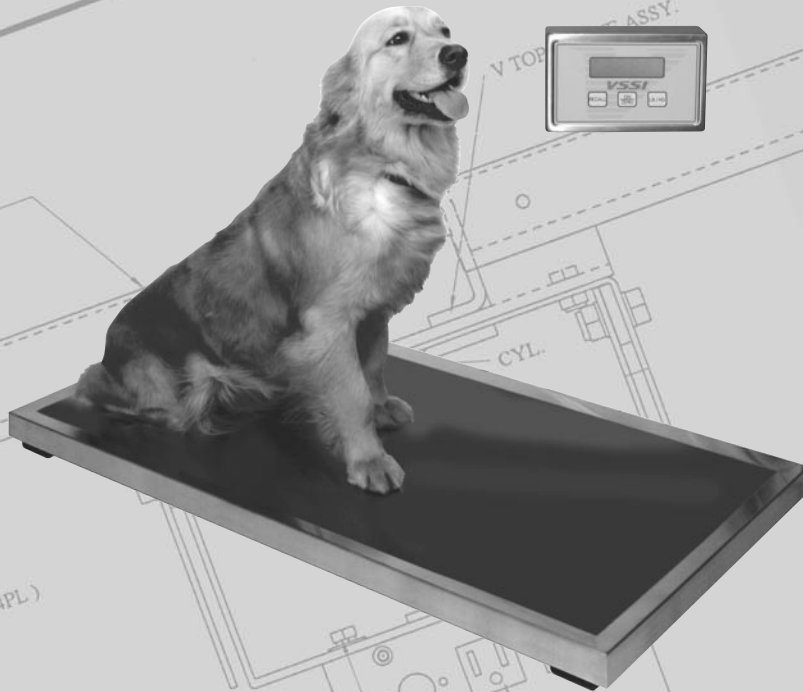


The **VSSI** Way™

It's a Better Way to Weigh!



Instruction Manual

Table of Contents

Pre-Installation	2
Specifications	2
Parts Identification	3
Assembly & Installation	3-4
Post Mounted Display	5
Features/Operation.	6
Troubleshooting	7
Care & Cleaning	7
Product Warranty	8

Pre-Installation

Thank you for purchasing
The VSSI Way[™] Scale!

Open packages carefully. Please inspect the shipping cartons and contents for any visible damage. This is important in the event that any breakage has occurred during transit.

The VSSI Way[™] platform scale is contained within two boxes. Below is a list of everything you should receive:

- *The VSSI Way*[™] platform scale base
- 1 ribbed vinyl platform mat
- *The VSSI Way*[™] display/readout box with mounting bracket
- 1 AC adapter power cord
- 1 stainless steel scale cover

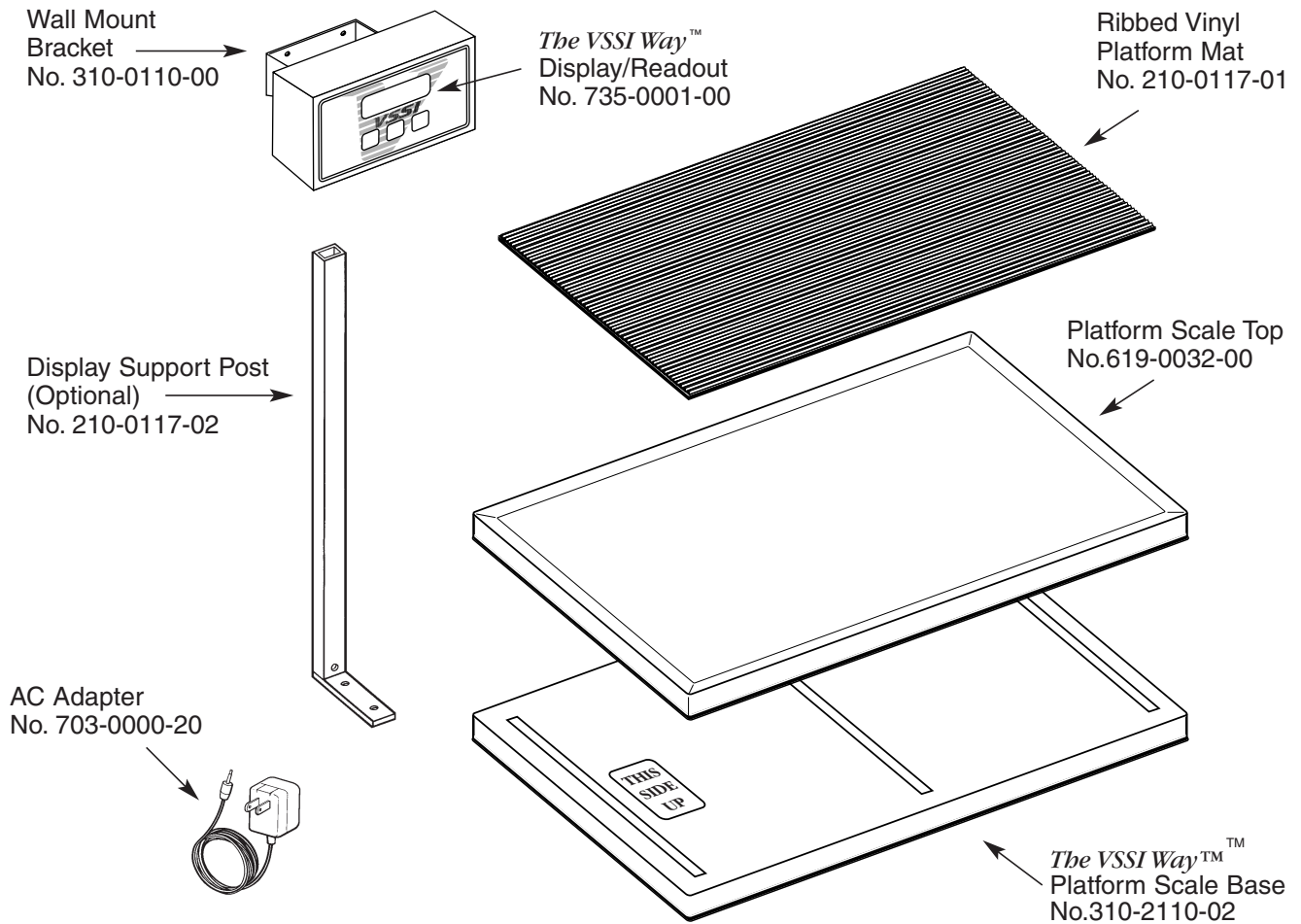
Refer to the drawing on the next page to identify parts.



Specifications

Platform Size:	44" x 22" x 2 5/8" tall
Maximum Capacity:	300 pounds
Accuracy:	Within 0.2% at 300 pounds
Electrical:	Operates on standard 110 VAC or one 9-volt DC battery
Shipping Weight:	45 pounds
Display Mount Post Height:	36"

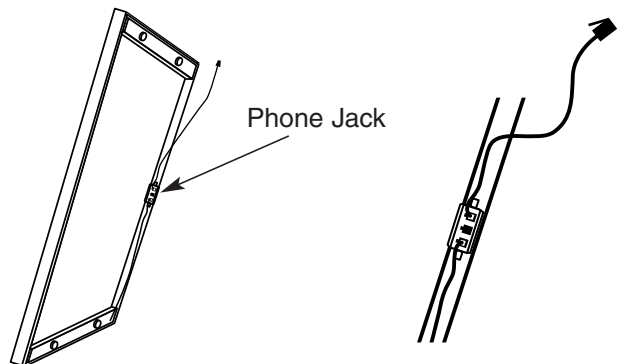
Parts Identification



Assembly & Installation

If assembling a scale purchased with the optional post mount for the display panel, go to "Post Mounted Displays", page 5, for Post Mount installation instructions.

1. Place the scale on a flat, level surface with no less than 1" clearance on each side. We **do not** recommend recessing the scale into the floor. Tip the scale on end and locate the phone jack, with phone cord coming out of the side.
2. The side of the scale with the display cord plug-in should be placed nearest to the wall. Be sure the scale is level



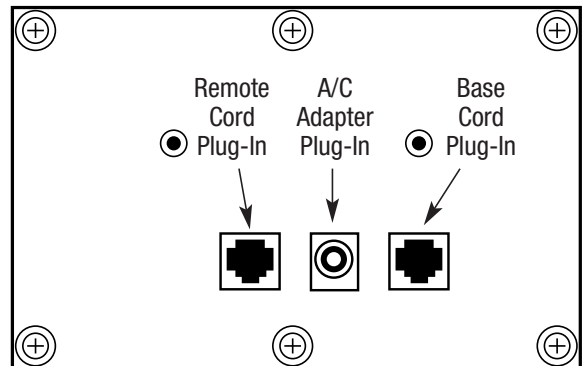
continued

Assembly & Installation continued

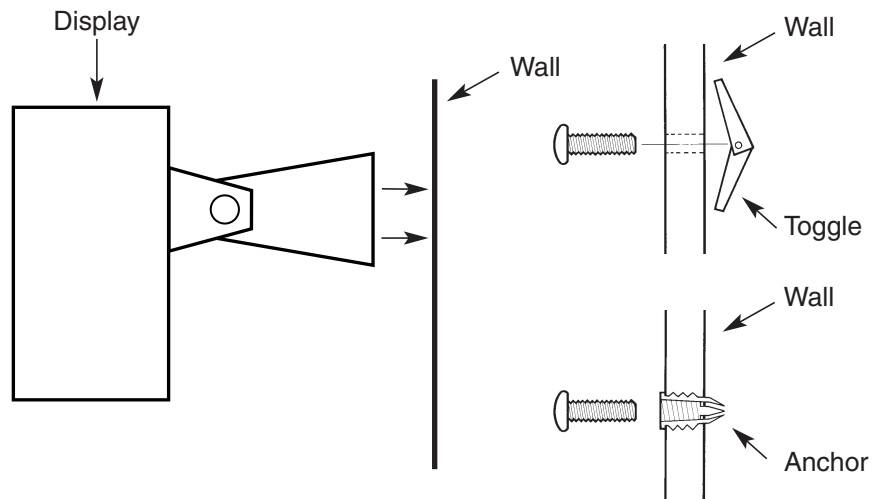
after positioning. Screw-in feet on the bottom of the scale base may be adjusted as necessary.

3. Plug the end of the phone jack cord into the jack marked "Base" on the back side of the scale display. If you purchased a secondary display, plug the additional cord into the jack marked "Remote" on the back side of the main display and connect the other end to the back of the secondary display.
4. If you are using AC power to operate the scale, you may now plug the power cord into the back of the display panel, and plug the AC adapter into a standard wall outlet.
5. Mount the wall bracket securely to the wall (or counter) with appropriate hardware (not supplied). See suggestions for mounting hardware at right. Suggested height for the mounting bracket is 48" to 60" from the floor.

Note: Always keep the readout display matched to its proper base. If multiple scales have been purchased, match the serial number that is on the back of the display with the same serial number found on the phone jack.

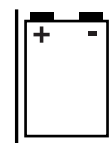
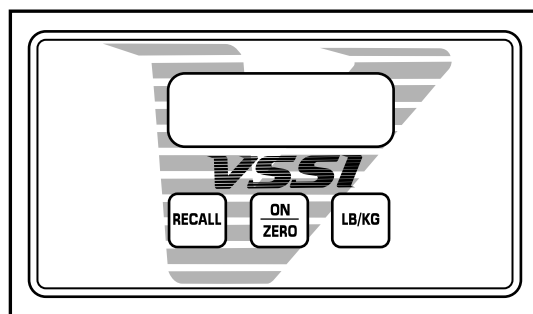


Back view of Display/Readout



6. Press the "ON/ZERO" button.

Operating *The VSSI Way*™ scale with battery power requires one 9-volt battery. The scale ships with a battery installed. To replace the battery, refer to the drawing at right. To perform an AC/DC switch see page 6.



Post Mounted Displays

1. The display cord and AC adapter cord should be threaded through the post mount column. Start at the bottom of the column and thread the cords up through the top.

2. Place the scale base in the desired location. Tip the scale up and locate the corner you wish to install the post mount on.

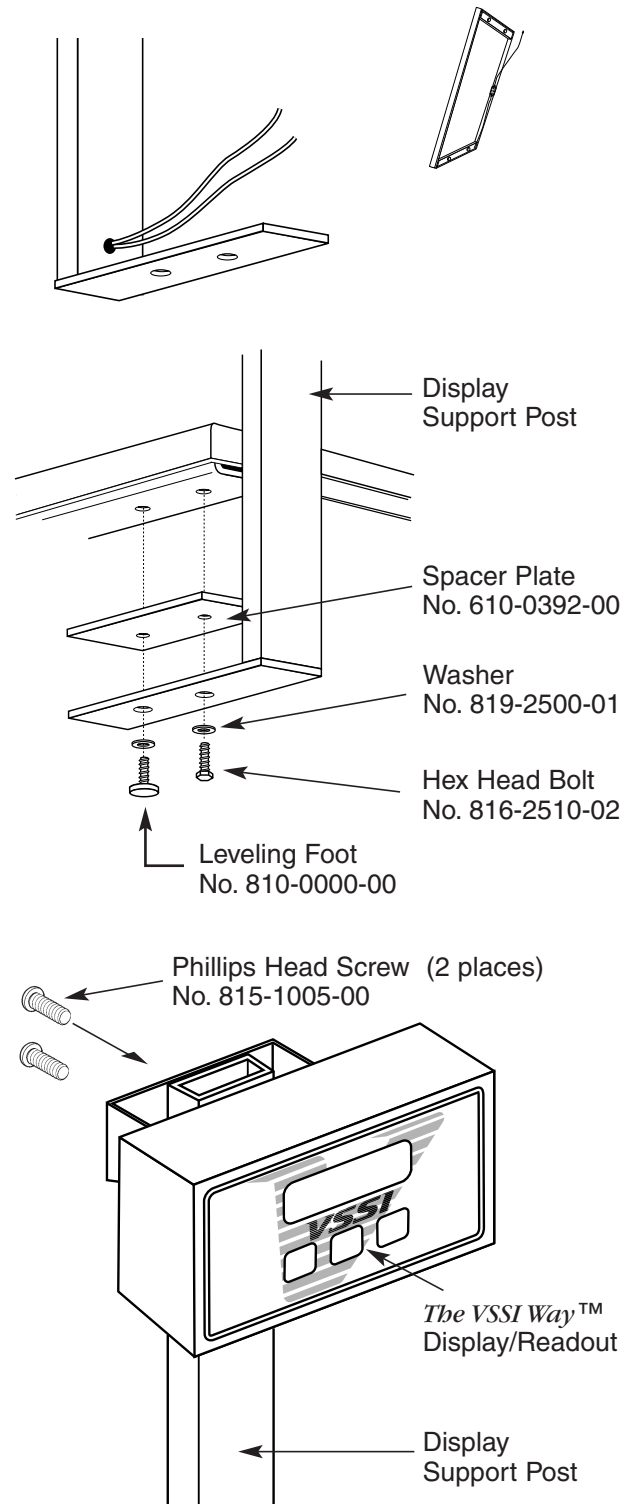
3. Next install the post mount as shown at right by first removing the leveling foot. Use the leveling foot and hex bolt provided to attach the post mount to the scale platform.
Note: The scale will now be uneven. The remaining three feet must be adjusted to match the foot inserted in the post mount.

4. Fasten the scale display box to the top of the mount post with the two Phillips head screws. Plug the display connector cord and AC adapter cord coming from the top of the mount post into the back of the display. (See page 4)

Note: Always keep the display matched to its proper base. If multiple scales have been purchased, match the serial number on the back of the display with the same serial number found on the phone jack.

6. If using AC power to operate the scale, plug the power cord into the back of the display panel, and plug the AC adapter into a standard wall outlet. If operating the scale with battery power see pages 4 and 6.

7. Press the "ON/ZERO" button.



Scale Features/Operation

Using The Control Panel:



Push to turn unit on. Display shows the following:

- ^^^^ - self test
- vssi - checks display segments
- u 1.7 - software revision
- b xx.x - battery voltage (varies with AC plug in and internal 9v battery.) A reading of 6.0v indicates the need for battery replacement; the unit will shut off at a reading of 5.5v.
- 0.0 - ready to weigh



Push and hold until display indicates unit shift. Display will show "conv" until the conversion is complete.



Push the RECALL button - The display will show the message "rECL" then alternately flash between the last stable weight and the "rECL" message. Press ON/ZERO button to return to normal weighing. Works only with hold function active.

Features:

Tare Function:

Any weight within the scale capacity can be zeroed out by pressing the ON/ZERO button. When the weight is removed, the display flashes the tared weight. Press ON/ZERO button to return to normal weighing.

Weighing Function:

Display will blank out until a close range of the weight is reached. With the hold function active, the display will show the stable weight and the "hold" indication. The displayed weight will lock until the weight is removed.

Weight Hold:

Press and hold the ON/ZERO button. While holding the ON/ZERO button, press and hold the RECALL button. Display will show "zero" then "h on" or "h off". Release buttons when selection is made. Default setting is "h on".

Automatic Shut Off:

In AC mode, the indicator will shut off in one hour. In battery mode, the indicator will shut off in one minute.

Calibration:

To calibrate, install fresh 9 volt battery in indicator and unplug indicator's AC adapter from back of indicator.

Press and hold the ON/ZERO button. While holding the ON/ZERO button, press and hold the LG/KG button. After approximately 3 seconds, the message on the display will change from "zero" to "CAL0".

Make sure the platform is empty and press the ON/ZERO button. The indicator will show a countdown from "16" to "1". Then it will show "C50". Place a 50 lb. weight on the platform and press the ON/ZERO button. The indicator will show a countdown from "16" to "1". Then will show "50". Remove the 50 lb. weight and press the ON/ZERO button. The scale is now calibrated and has automatically returned to normal weight mode.

Re-plug indicator's AC adapter into back of indicator.

Switching from AC to DC:

Unplug the AC power cord from the display. Then press the ON/ZERO button to turn the indicator back on.

Switching from DC to AC:

Plug the AC adapter into a standard wall socket and the cord into the AC outlet on the back of the display. Then press the ON/ZERO button to turn the indicator back on.

Troubleshooting

Indicators:

Messages on the readout indicate operating condition:

- OL Indicates weight on scale exceeds capacity or malfunction of scale display.
- OPEN Indicates malfunctioning of base or cable, or the scale needs to be calibrated.



Indicates batteries are discharged.

In The Event Of A Problem:

In the event that a problem occurs, a VSSI factory technician is ready to assist you. In order to save time, please check the following items before calling:

- Does the readout display have a message that indicates what the problem is? Refer to “Indicators” at left for descriptions.
- Check all cables/connections.
- Unplug AC power and battery, then plug-in again to reset the scale.

VSSI Tech Support: 1-800-299-9525

Care & Cleaning

The VSSI Way[™] scale platform may be cleaned with any commercially available product recommended for use on stainless steel. Frequent cleaning will prolong the life and help maintain the natural luster of the stainless steel.

To prevent scratching, use a soft cloth to clean the scale. If scrubbing is necessary, use a nylon or plastic type scrubber. When cleaning, always rub in the direction of the “grain” of the metal.

To remove minor scratches, we recommend using a 3M ScotchBrite[®] scouring pad rubbed lightly in the direction of the “grain” of the metal.

Never use steel wool or steel brushes when cleaning your platform scale. Steel particles may become embedded into the stainless steel and cause rust.

Avoid use of chlorine bleach for cleaning. Chlorides, bromides, iodides and thiocyanates will cause pitting, corrosion and discoloration of the metal. If using bleach, clean thoroughly with water to completely remove bleach residue.

Avoid excessive moisture. *The VSSI Way*[™] platform scale contains electronic components that may be damaged by excessive exposure to moisture. When cleaning or mopping the floor, do not leave the scale in standing water. For thorough cleaning, the stainless steel platform cover may be lifted off the scale base and cleaned separately, away from electronic components.

Product Warranty

This product is warranted for 2 years from the date of delivery to the original purchaser only. Warranty is only applicable if customer complies with all instructions and specifications furnished by VSSI, Inc. relating to installation, care, and application. Customer agrees that they will not modify, misapply, or misuse product in any manner which deviates from the VSSI, Inc. instructions. Any repairs, alterations, or services provided by parties other than VSSI, Inc. or its authorized representatives may void warranty. The buyer is responsible for all freight charges on returned items.

Product Satisfaction Policy

In the event that the customer is not fully satisfied with the products purchased, VSSI, Inc. may, at its own discretion, arrange for the customer's account to be credited (excluding shipping charges) or replace the product. The customer must notify VSSI of any claim of nonconformity or defect in writing within 30 days from the date of receipt. The product must be returned to VSSI in its original packaging, undamaged and showing no unusual wear within 20 days of the customer's written notice.

To return an item, follow these simple instructions:

- Call VSSI, Inc. for complete instructions (800-299-9525)
- A sales representative will give you a Return Authorization Number
- If a Restocking Fee applies, you will be informed at this time
- Label the boxes with this Return Authorization Number
(All items must have a Return Authorization Number)
- Return the items, postage/freight prepaid

If necessary, the VSSI sales representative will assist you with freight arrangements.

Note: Custom orders and/or custom colors may not be returned.



#1 Civil War Road - Area 5 • P.O. Box 431 • Carthage, MO 64836
1-800-299-9525 • fax 417-358-4716
email vssi@vssi.com • www.vssi.com