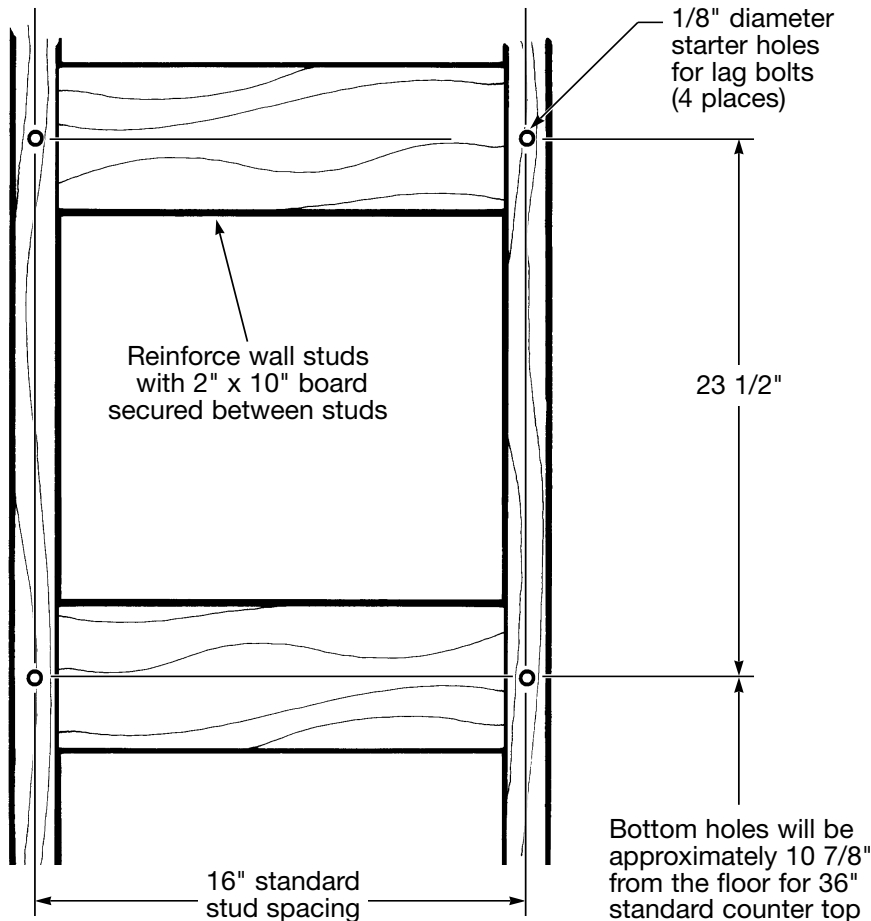


PREPARING FOR THE WALL MOUNT EXAM TABLE

PLEASE READ ALL MOUNTING INSTRUCTIONS CAREFULLY! IMPROPER INSTALLATION MAY RESULT IN INJURY OR DAMAGE TO PRODUCT.

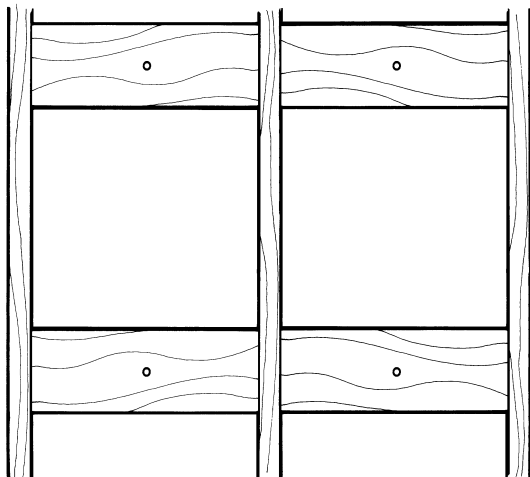
The instructions below show how to properly brace a wood stud wall to accept the table. Cross braces need to be installed between studs to minimize flexing. Mounting holes for the wall mount exam table are drilled 16" apart to correspond with standard wall stud placement. If not placing the wall mount table to match up with existing wall studs, modifications to the wall will be necessary.



Hole placement for the wall mount exam table measures as shown. Do not pre-drill mounting holes at this point, but refer to dimensions to insure that your wall is braced correctly in the location where you plan to mount the table.

If mounting the table to a masonry wall, appropriate anchor hardware must be used.

FOR YOUR SAFETY - DO NOT EXCEED 150 LBS. WEIGHT ON THE TABLE!

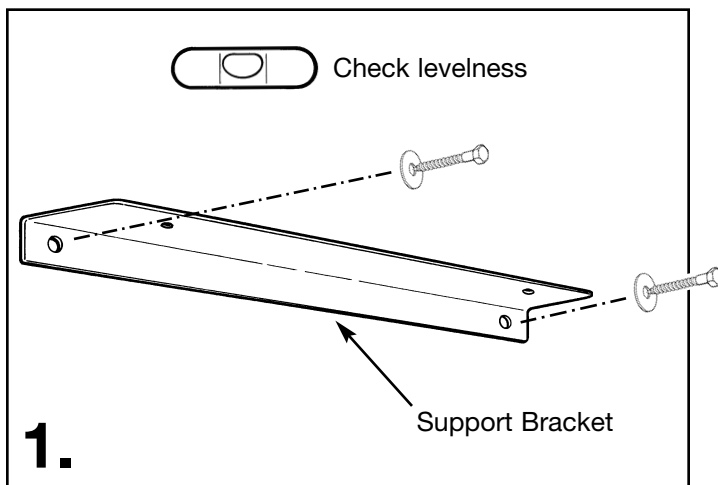


If the wall mount exam table is to be mounted such that it does not correspond with the wall studs, secure 2" x 10" boards between wall studs as a mounting surface.

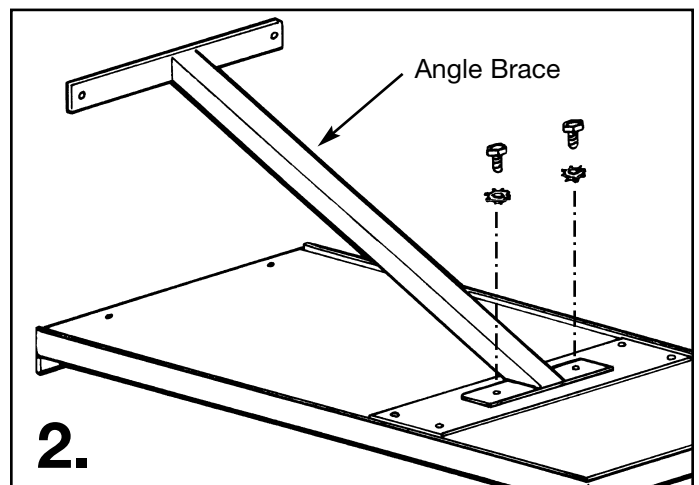
PLEASE SECURE PROPERLY - THE WALL MOUNT EXAM TABLE IS ONLY AS STURDY AS ITS MOUNTING!

INSTALLING THE WALL MOUNT EXAM TABLE

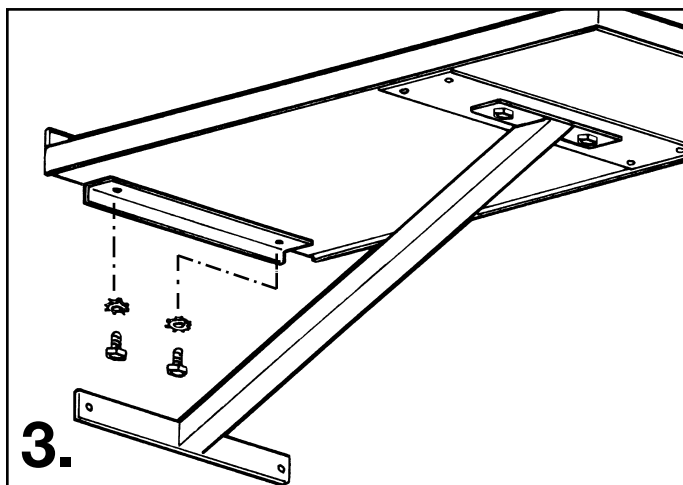
REFER TO INSTRUCTIONS ON REVERSE FOR PREPARING THE WALL BEFORE INSTALLING



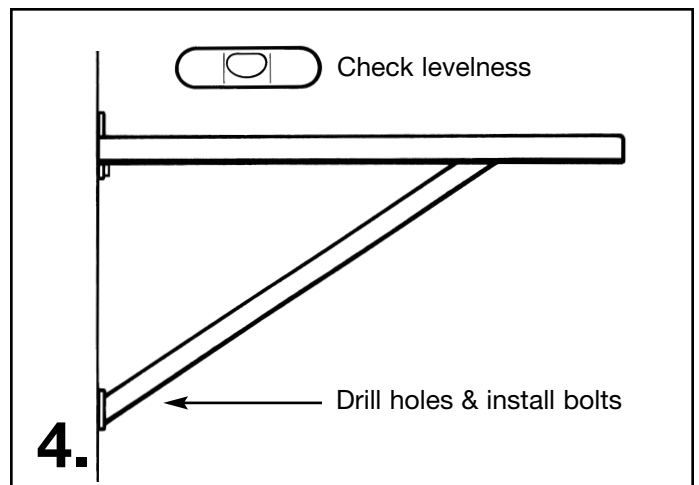
Mount the top support bracket to the wall by drilling the wall and bolting. Measure from the floor to desired height. Be sure that the support bracket is mounted level. (Bracket is shipped loosely bolted to the bottom of the table top.)



Bolt the angle brace to table bottom with two bolts included (already threaded into mounting holes). Place the table top on carpet or something that will protect it from scratching.



Hold the table against the wall, resting on the support bracket that you bolted to the wall in Step 1. Install two bolts to secure the table to the support bracket. Note: This and the next step are much easier with two people!



Raise or lower the front of the table until the table is level, then mark the wall where bottom bolt holes need to be drilled into the wall. Drill holes and install bolts to secure the bottom of the brace to the wall.

TOLL FREE 1-800-299-9525
fax 417-358-4716
www.vssi.com
e-mail vssi@vssi.com

208 W. Central Ave.
Carthage, MO 64836

VSSI, INC.