

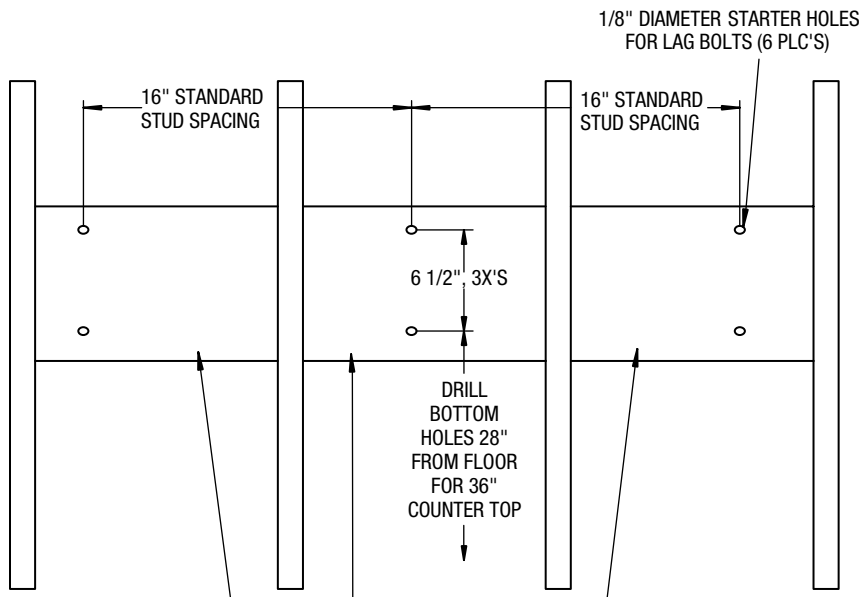
INSTALLING THE WALL HUGGER EXAM TABLE

PLEASE READ ALL MOUNTING INSTRUCTIONS CAREFULLY! IMPROPER INSTALLATION MAY RESULT IN INJURY OR DAMAGE TO THIS PRODUCT.

FOR YOUR SAFETY DO NOT EXCEED 150 LBS WEIGHT ON THE TABLE!

PREPARATION OF WOOD STUD WALLS

The instructions below show how to properly brace a wood stud wall to securely hang a Wall Hugger Exam Table. Cross braces need to be installed to minimize flexing. Mounting holes are pre-drilled into the table mounting brackets 16" apart to correspond with standard wall stud placement. If placement of the exam table does not match up with existing wall studs, modifications to the wall will be necessary. Reinforcing the wall by securing a board between the studs is recommended for both installation on studs or between studs.



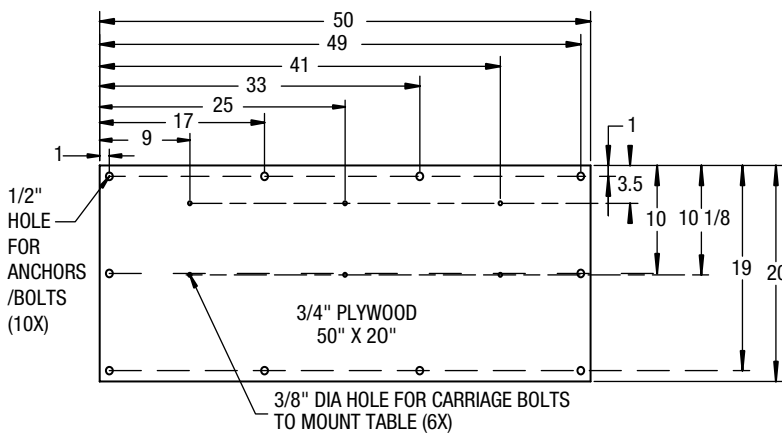
REINFORCED WALL STUDS WITH 2" x 10" BOARD SECURED BETWEEN STUDS

Begin by determining where the table will be installed. To mount the table at standard 36" counter top height, drill the three bottom holes per the diagram at left. Six 3/8" diameter x 2" long lag bolts and six flat washers have been included with the exam table for installation to wood stud walls. When bolting the table to the wall, place the flat washer between the bolt head and table mounting bracket. See page 2.

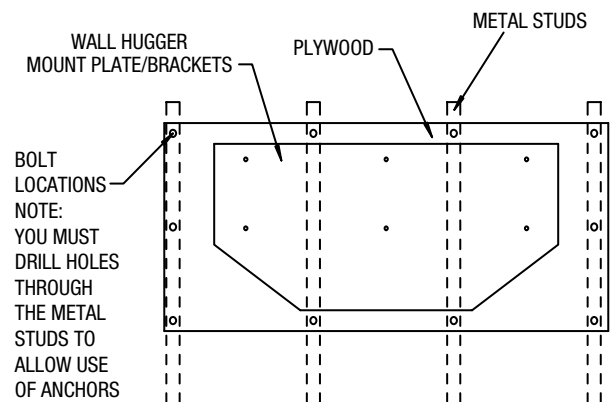
PLEASE SECURE PROPERLY. THE WALL HUGGER EXAM TABLE IS ONLY AS STURDY AS ITS MOUNTING.

PREPARATION OF MASONRY OR METAL STUD WALLS

If the Wall Hugger Exam Table is to be mounted on masonry or metal stud walls, a 3/4" x 20" x 50" plywood mounting plate is recommended for secure mounting. Anchor hardware should be appropriate to the material in the wall construction. Mounting plate should span four studs.

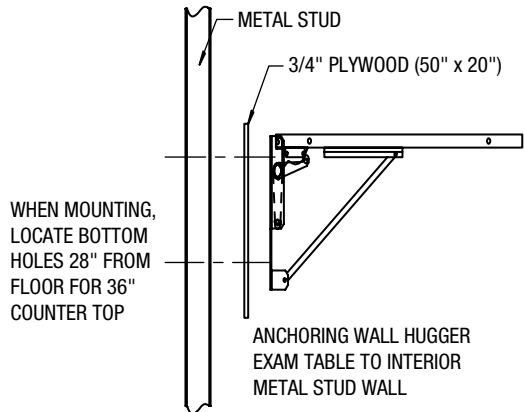


3/4" x 20" x 50" MOUNTING PLATE DETAIL



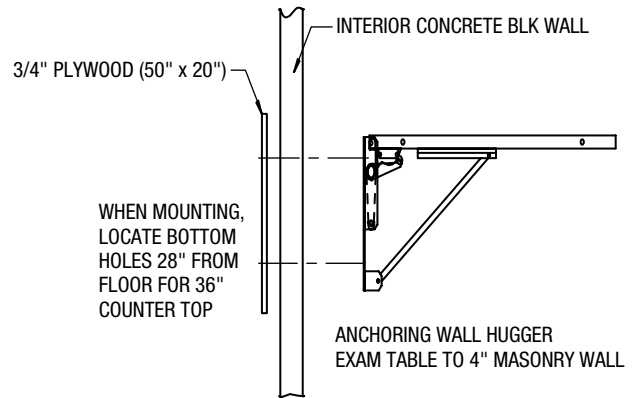
continued

INSTALLING THE WALL HUGGER EXAM TABLE



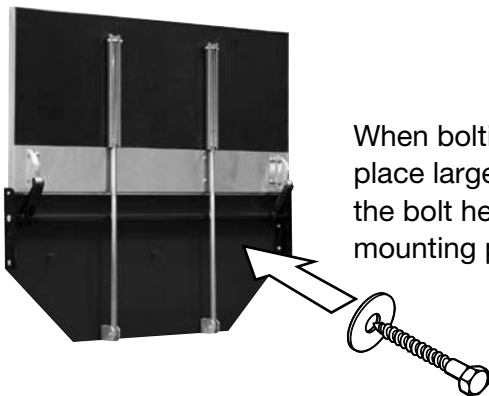
SIDE VIEW OF STUD WALL

On metal stud walls, anchor the mounting plywood through the metal studs. Mount the Wall Hugger Exam Table to the plywood mounting plate.



SIDE VIEW OF MASONARAY WALL

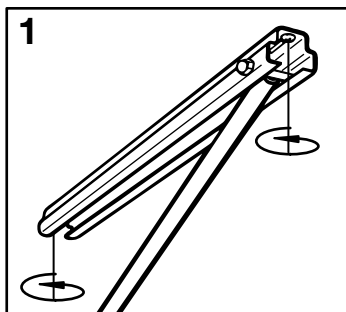
On masonry walls, anchor the mounting plywood to the wall on side opposite of the side the Wall Hugger Exam Table is to be mounted. Anchor the Wall Hugger Exam Table with six lag bolts through the wall and plywood and fasten to plywood mounting plate with flat washers and nuts.



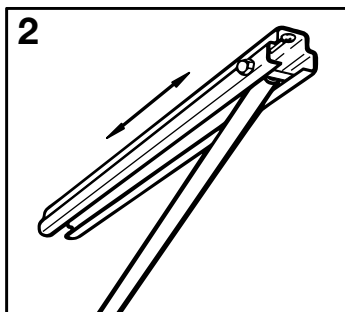
**FOR YOUR SAFETY
DO NOT EXCEED
150 LBS WEIGHT
ON THE TABLE!**

LEVELING THE WALL HUGGER EXAM TABLE

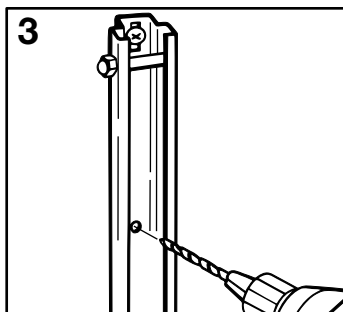
DRILL AND INSERT SCREWS AS SHOWN TO INSURE THAT THE TABLE REMAINS LEVEL.



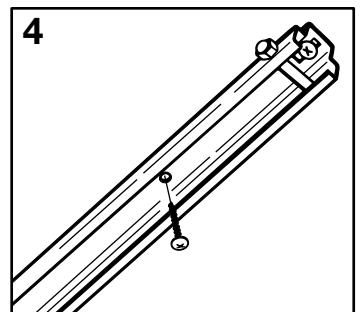
1
If top is not level after mounting - loosen screws at each end of the slide brackets.



2
Reposition the slide brackets as necessary until the table top is level, then tighten screws.



3
Drill a pilot hole 1/8" diameter, 1/2" deep in the wood through the center hole of both brackets.



4
Install the 1/2" screws (included) into the pilot holes to hold the brackets in place.

TOLL FREE 1-800-299-9525
fax 417-358-4716
www.vssi.com
e-mail vssi@vssi.com

#1 Civil War Road - Area 5
P.O. Box 431
Carthage, MO 64836

VSSI, INC.