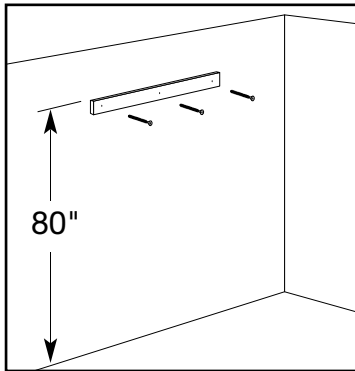


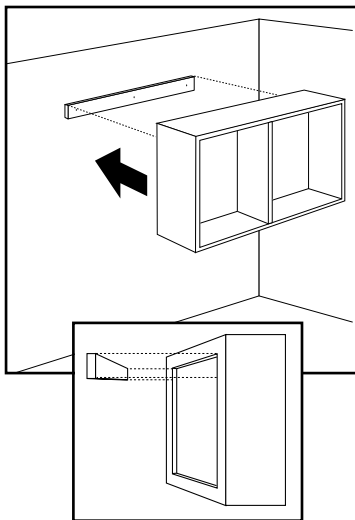
Wall Cabinet Installation Instructions



1. Locate the area you want to install your wall cabinet and install the mounting board to existing wall studs. Measure up 80" from the floor to the top of the mounting board. This will provide 18" of space between the bottom of wall cabinet and your counter top. Use a leveling device and confirm the mounting board is level.

USE 4" WOOD SCREWS TO ANCHOR THE MOUNTING BOARD TO THE EXISTING WALL STUDS.

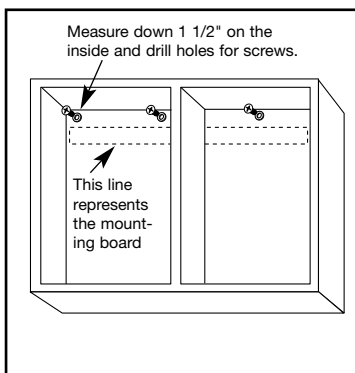
Screws need to be counter sunk to be flush with the surface of mounting board



2. By precise measurement, transfer the wall stud locations to the inside of the cabinet or to the wall above the cabinet.

3. Hang the cabinet on the mounting board. The mounting board fits inside a framework on the back side of the cabinet. It provides a sturdy support for your wall cabinet.

**THE TOP OF THE CABINET IS UNFINISHED.
THE BOTTOM OF THE CABINET IS LAMINATED.**



4. While holding the cabinet in place drill into the back of the cabinet at wall stud locations. Holes should be approximately 1 1/2" down from top inside of cabinet.

IT IS EXTREMELY IMPORTANT TO MAKE SURE THE SCREWS PENETRATE THE WALL STUDS ABOVE THE MOUNTING BOARD, NOT THE MOUNTING BOARD.

ATTACH THE CABINET TO THE WALL WITH 4" WOOD SCREWS AND WASHERS