



# Hydraulic V-Top & Flat-Top Surgery Tables



## Instruction Manual

### Table of Contents

Pre-Installation . . . . .	2
V-Top Parts Identification . . . . .	2
Flat-Top Parts Identification . . . . .	3
Installation . . . . .	3-4
Features/Operation . . . . .	5-7
Troubleshooting . . . . .	7
Care & Cleaning . . . . .	8
Specifications . . . . .	8
Accessories . . . . .	9
Product Warranty . . . . .	10

# Pre-Installation

Thank you for purchasing *The VSSI Hydraulic Surgery Table!*

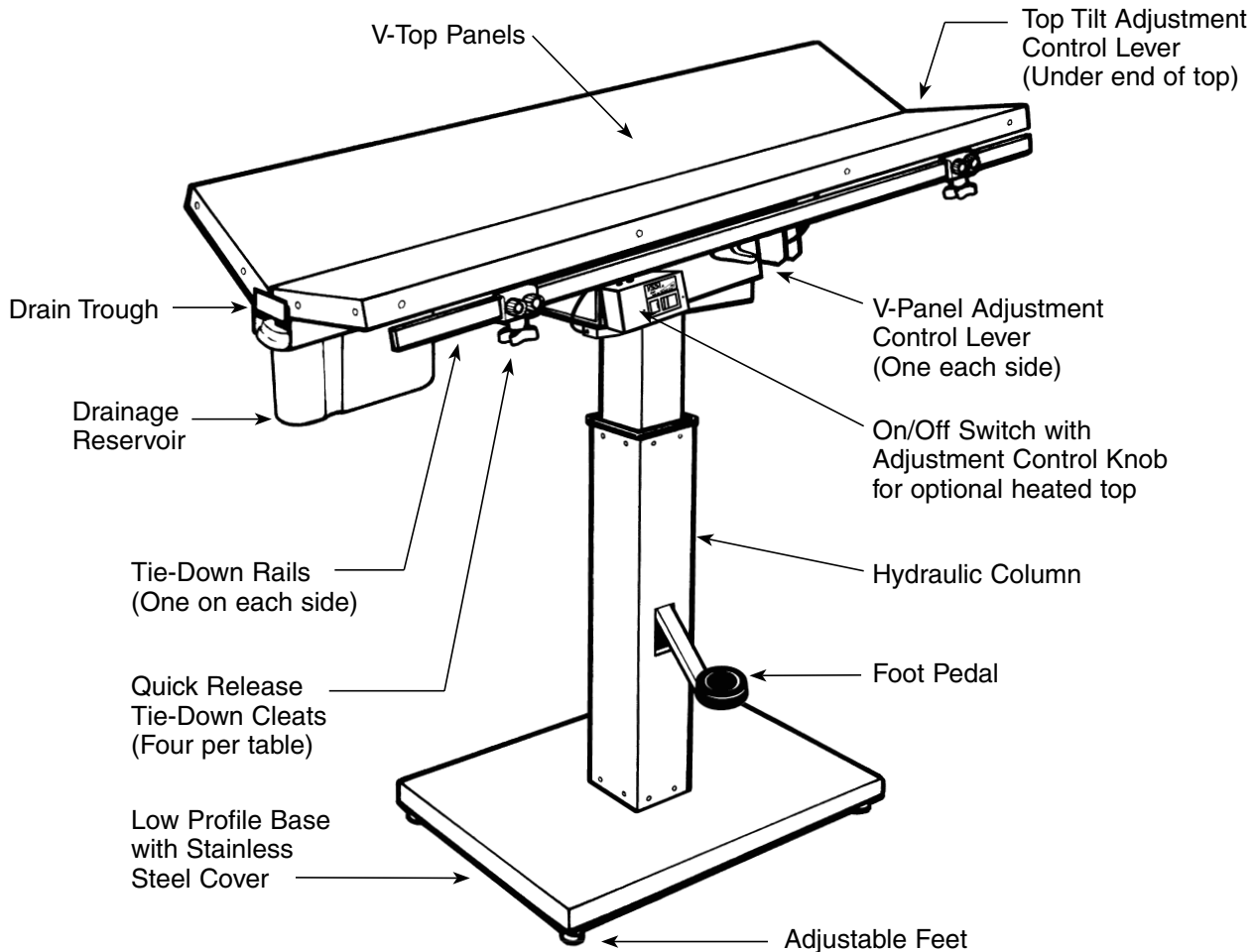
Open packages carefully. Please inspect the shipping carton and contents for any visible damage. This is important in the event that any breakage has occurred during transit.

*The VSSI Hydraulic Surgery Table* is fully assembled and contained within one carton on a pallet. Do not attempt to move the surgery table by yourself - it is very heavy! Improper handling may result in injury to yourself or damage to the product.

Refer to drawings on this and the following page to identify features of *The VSSI Hydraulic Surgery Table*.

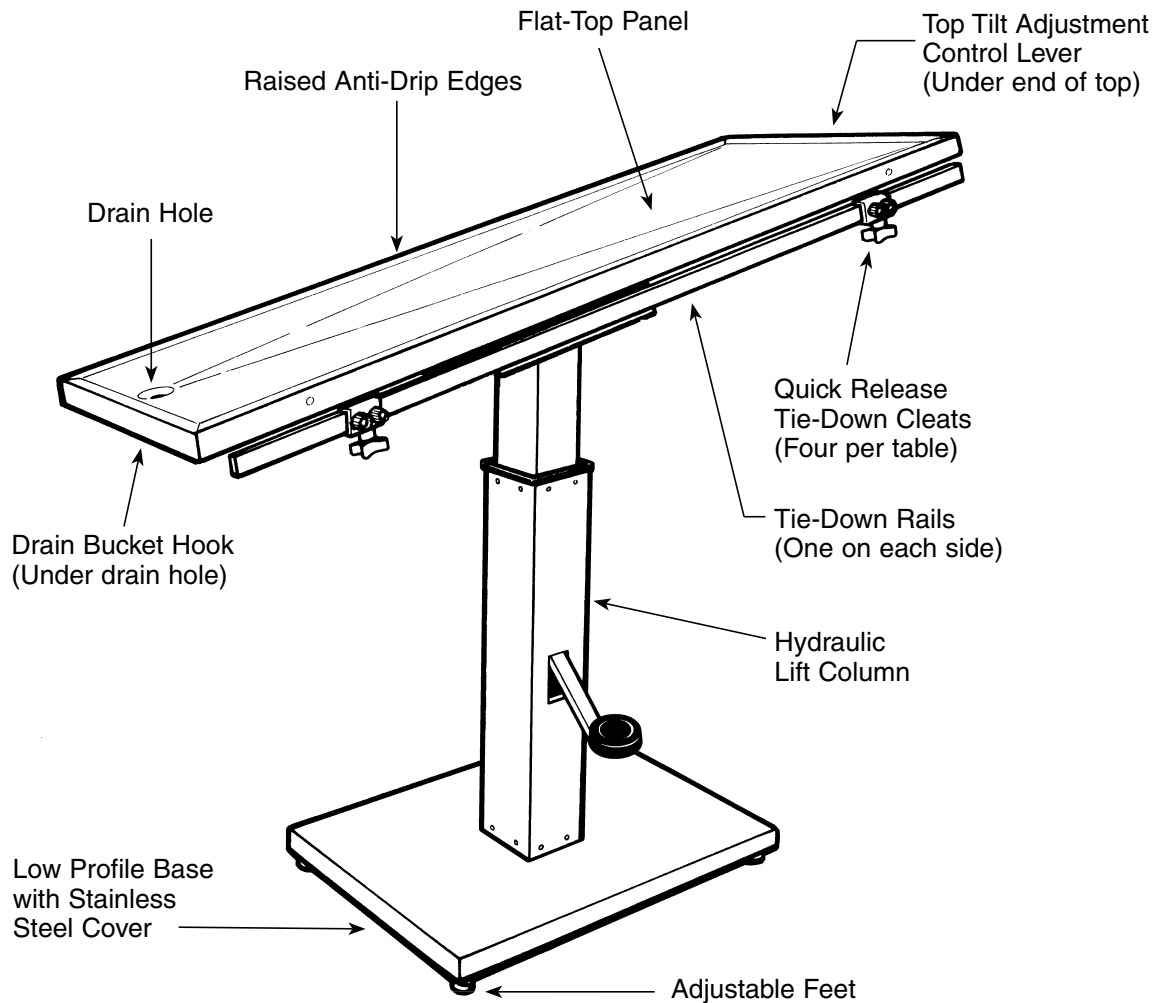


## V-Top Parts Identification



# Flat-Top Parts Identification

---



## Installation

---

1. *The VSSI Hydraulic Surgery Table* arrives pre-assembled, requiring only minor attention to be fully serviceable. After removing the table from its packaging, the table needs to be placed in the desired position within your facility. Because the table is very heavy, we recommend using a four-wheeled furniture cart to make moving the table easier. If a cart is not available, please use care when lifting and carrying the table.

### To Lift The V-top Surgery Table:

When moving a V-top surgery table, NEVER lift the table by its V-panels! If your table is equipped with the adjustable column, lower the table top to its lowest position. This will be the position the table has arrived in. Refer to "Features/Operation", page 5, for adjusting instructions.

*continued*

# Installation continued

Remove the drainage reservoir and drain trough from the table. Lift the table by grasping the polished stainless steel support frame. Do NOT use the tie-down adjusting rails as handles!

The hydraulic column will fully extend as you lift the table. This will not damage the table in any way but does make moving the table awkward. Lift and move with caution. The hydraulic column will return to normal operating position when the table is placed on the floor and not being lifted.

## To Lift A Flat-Top Surgery Table:

Lift the table by picking up on the table top. Do NOT use the tie-down adjusting rails as handles!

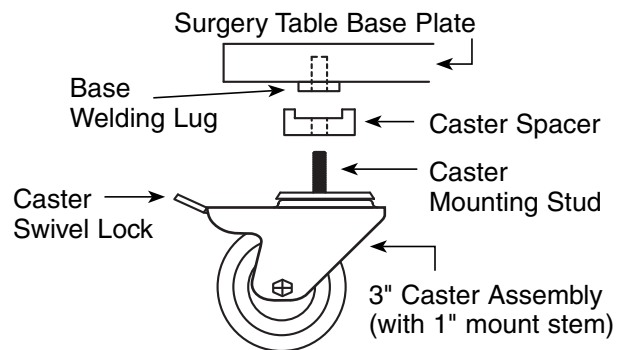
The hydraulic column will fully extend as you lift the table. This will not damage the table in any way but does make moving the table awkward. Lift and move with caution. The hydraulic column will return to normal operating position when the table is placed on the floor and not being lifted.

2. Position the table to allow plenty of space on all sides. 50" V-top surgery tables should be placed at least 50" from the wall nearest the uphill end, and 60" V-top tables at least 60" away, to allow the drain trough to be removed easily for cleaning.

Surgery tables equipped with the heated top option need to be within reach of a standard power outlet.

3. After the table is in position, snap the non-skid rubber pads over the metal adjusting feet.

If you are using the optional casters, unscrew the metal adjusting feet and screw the casters into the same threaded holes. The caster set includes four locking swivel casters and four caster spacers.



To install casters:

- A. Remove leveling foot pad from surgery table base. (*If replacing caster; lock swivel lock on caster and remove old caster from base plate.*)
- B. Lock swivel lock on replacement caster assembly.
- C. Install caster spacer onto the caster mounting stud.
- D. The caster spacer should seat on the base plate's welding lug.
- E. Thread replacement caster's mounting stud into surgery table base plate. Turn the entire caster assembly to tighten into base plate taking care that caster spacer is properly seated on the base plate welding lug.
- F. Unlock caster swivel lock and with  $3/4$ " wrench on mounting stud on wheel side of caster, secure caster to table base plate.

***For maximum service life, caster mounting stud should be periodically checked for tightness with  $3/4$ " wrench.***

*continued*

# Features/Operation

4. *The VSSI Hydraulic Surgery Table* is protected during shipping with a white plastic film covering the stainless steel. Peel off the plastic film before using. Refer to “Care and Cleaning”, page 8, for cleaning instructions.
5. Please read all use and care instructions before using *The VSSI Hydraulic Surgery Table*.

## Tilt & V-Top Angle Adjustment:

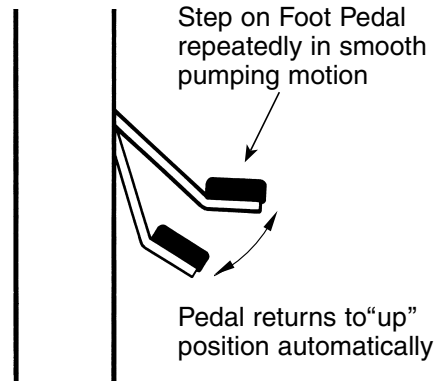
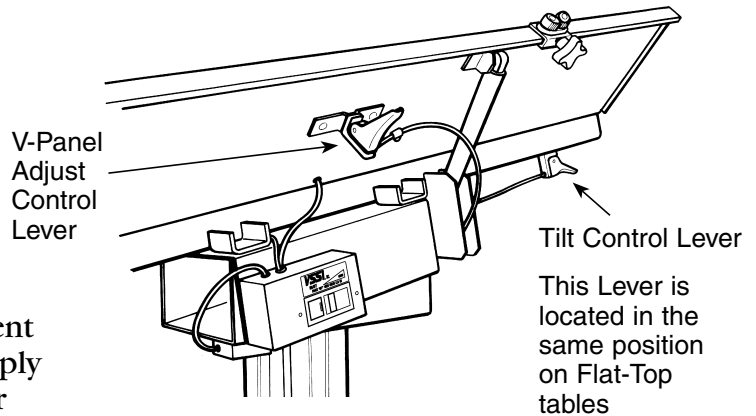
*The VSSI Hydraulic Surgery Tables* are designed for easy one-handed adjustment of table tilt and V-top panel angles. Simply depress the desired touch control lever while simultaneously adjusting the top angle. Release the lever and the panel is locked solidly in place.

Refer to the drawing on right above for control lever locations.

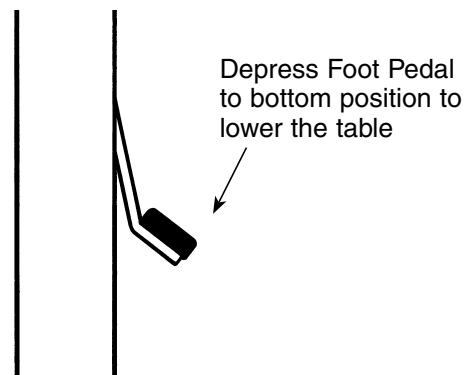
## Operating The Hydraulic Column:

Tables equipped with the hydraulic column allow you to adjust the height of the table top. To raise the height of the table, step on the foot pedal repeatedly in a smooth pumping motion until obtaining desired height. Depress the pedal only until meeting greater resistance (if you depress the pedal until it stops, you are releasing the hydraulic cylinder, in effect lowering the table).

To lower the height of the table, depress the pedal completely and hold until the table “sinks” to the desired position.



RAISING THE TABLE

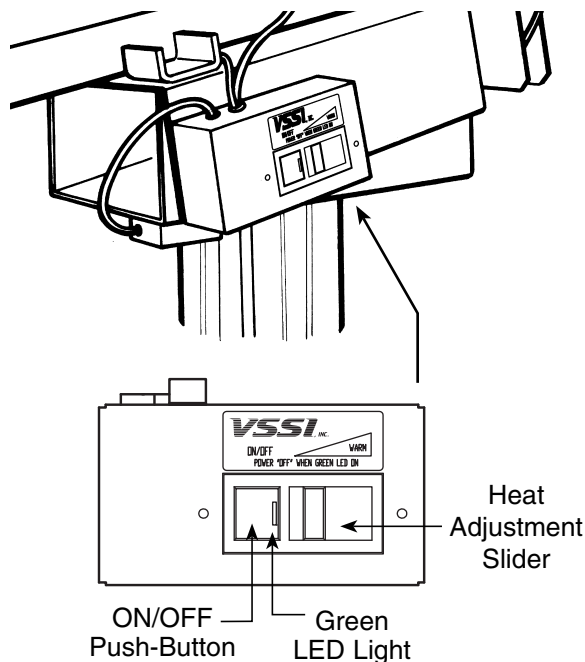


LOWERING THE TABLE

# Features/Operation continued

## Heated Top Option:

The optional heated top provides thermal support to help prevent hypothermia during surgery. The heated top should be between 10° and 15° above ambient room temperature; however, all patients should be monitored continuously to prevent any possible over-heating.



### Heat control operating instructions:

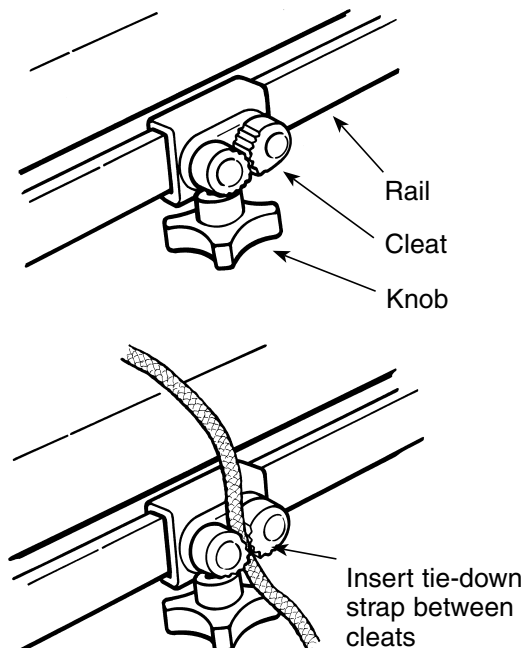
1. Activate heat control by pushing the button to turn green light off.
2. Adjust table top heat to desired temperature by moving switch slider - right to increase and left to decrease. Allow 15 minutes for uniform table top temperature.
3. Deactivate heat by pushing the button to turn green light on.
4. The green light is a visual indication that heat is OFF.

**CAUTION: Covering the animal during surgery will cause heat generated from the top to be trapped, resulting in an excessive rise in temperature. This may cause the animal to be burned. All patients on the heated top tables should be monitored continuously to prevent any possible over-heating.**

## Rails & Cleats:

Tie-down rails are mounted to the table edges for easy access - quick-release restraint cleats are always at the same height as your patient's body. Cleats may be moved to any position along the length of the table by loosening the knob that clamps the cleat to the rail.

Quick-release restraint cleats allow one hand operation. Tie-down straps slip easily into the cleats to hold the patient securely in place. To release, simply pull the tie-down strap in a downward, outward motion.

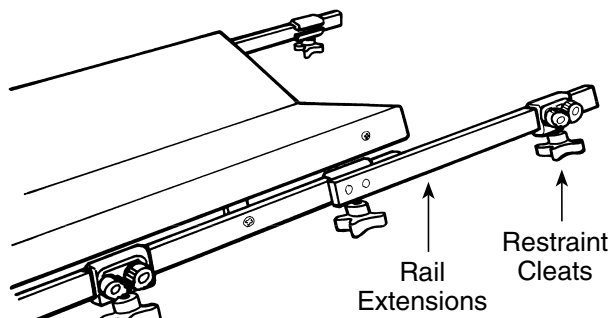


# *Features/Operation continued*

---

## **Rail Extensions:**

All tables may be ordered with an optional pair of 14" long rail extensions to accommodate larger animals. Each pair of extensions includes two quick-release restraint cleats. Refer to page 9, "Accessories", for more information.



## **V-Top Drain Trough:**

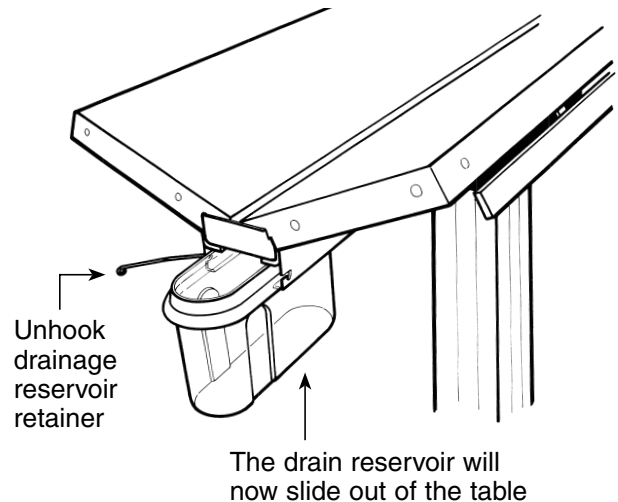
V-top surgery tables feature a removable drain trough for easy cleaning. To remove the drain trough, first lower the V-panels to the flat position. The drain trough will slide out of the "uphill" end of the table.

## **Flat-Top Drainage:**

The flat-top surgery table drains into a stainless steel bucket (not included). Refer to page 9, "Accessories", for ordering information.

## **V-Top Drainage Reservoir:**

V-top surgery tables feature a slide-out drainage reservoir that catches waste fluids as they drain from the drain trough. To remove the drainage reservoir for cleaning, unhook the metal retainer hook and slide the reservoir out.



# *Troubleshooting*

---

In the event that a problem occurs, a VSSI factory technician is ready to assist you. Please call VSSI for assistance before attempting any repairs.

**VSSI Technical Support:  
1-800-299-9525**

# Care & Cleaning

---

*The VSSI Hydraulic Surgery Table* may be cleaned with any commercially available product recommended for use on stainless steel. Frequent cleaning will prolong the life and help maintain the natural luster of the stainless steel.

To prevent scratching, use a soft cloth to clean the top. If scrubbing is necessary, use a nylon or plastic type scrubber. When cleaning, always rub in the direction of the “grain” of the metal.

To remove minor scratches, we recommend using a 3M ScotchBrite® scouring pad rubbed lightly in the direction of the “grain” of the metal.

**Never use steel wool or steel brushes when** cleaning your surgery table. Steel particles may become embedded into the stainless steel and cause rust.

**Avoid use of chlorine bleach for cleaning.** Chlorides, bromides, iodides and thiocyanates will cause pitting, corrosion and discoloration of any stainless steel. If using bleach, clean thoroughly with water to completely remove bleach residue.

**Avoid excessive moisture.** *The VSSI Hydraulic Surgery Table* contains electronic components that may be damaged by excessive exposure to moisture. When cleaning or mopping the floor, do not leave the table in standing water. For thorough cleaning, remove the drainage trough and reservoir and wash separately. Refer to “Features/Operation”, page 7, for removal instructions.

# Specifications

---

V-Top Surgery Table  
with Hydraulic Column:  
Height: Adjusts 33 1/2" to 39 1/2"  
Width: 20 1/4"  
Length: 50" or 60"

Flat-Top Surgery Table  
with Hydraulic Column:  
Height: Adjusts 32 1/2" to 38 1/2"  
Width: 22 1/8"  
Length: 50" or 60"

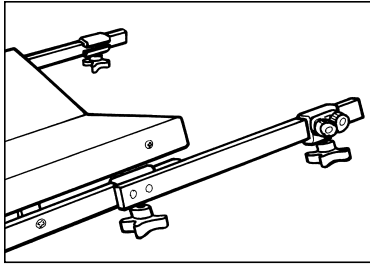
Electrical: Operates on standard 110 VAC if ordered with optional heated top

The hydraulic column will lift up to 300 lbs.



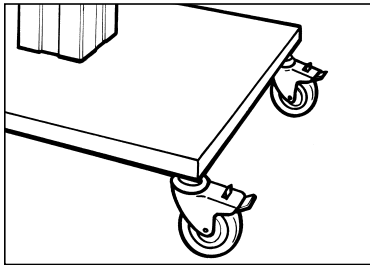
# Accessories

---



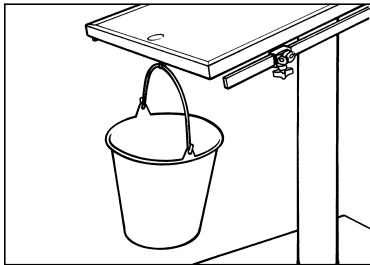
All tables may be ordered with an optional pair of 14" long rail extensions to accommodate larger animals. Each pair of extensions includes two quick-release tie-down cleats.

No. 200-3041-01      Rail Extension Set with Cleats



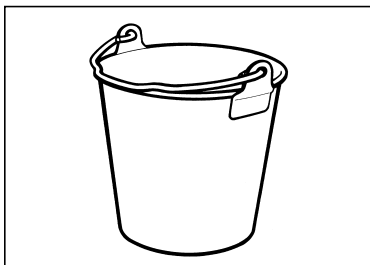
Casters may be ordered with any surgery table to provide easy mobility. Each set includes four locking casters. Locking casters lock and unlock easily with step-on control. Casters will raise the height of the table 4".

No. 200-3041-05      Caster Set for Surgery Tables



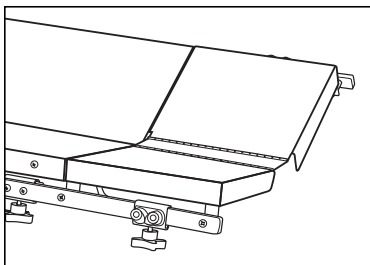
For flat-top surgery tables, the 13 quart drip bucket easily handles large volumes of fluids. Stainless steel construction is extremely durable and easy to clean.

No. 200-3041-02      Large Drip Bucket, 13 qt.



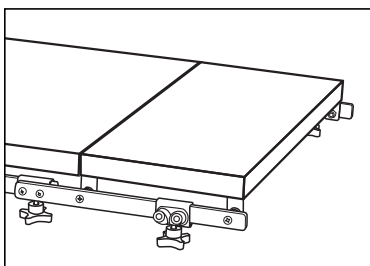
For flat-top surgery tables, the 2 quart drip bucket is available for smaller volumes of fluids. Durable stainless steel construction is easy to clean.

No. 200-3041-03      Small Drip Bucket, 2 qt.



10" stainless steel table top extensions for V- top surgery tables are available. Extensions may be added to each end. Two extensions provide 20" of additional work surface length. *For 50" table only.*

No. 200-3041-10      V-Top Extension



10" stainless steel table top extensions for flat-top surgery tables are available. Extensions may be added to each end. Two extensions provide 20" of additional work surface length. *For 50" table only.*

No. 200-3251-10      Flat-Top Extension

## ***Product Warranty***

---

This product is warranted for 1 year from the date of delivery to the original purchaser only. Warranty is only applicable if customer complies with all instructions and specifications furnished by VSSI, Inc. relating to installation, care, and application. Customer agrees that they will not modify, misapply, or misuse product in any manner which deviates from the VSSI, Inc. instructions. Any repairs, alterations, or services provided by parties other than VSSI, Inc. or its authorized representatives may void warranty. The buyer is responsible for all freight charges on returned items.

## ***Product Satisfaction Policy***

---

In the event that the customer is not fully satisfied with the products purchased, VSSI, Inc. may, at its own discretion, arrange for the customer's account to be credited (excluding shipping charges) or replace the product. The customer must notify VSSI of any claim of nonconformity or defect in writing within 30 days from the date of receipt. The product must be returned to VSSI in its original packaging, undamaged and showing no unusual wear within 20 days of the customer's written notice.

To return an item, follow these simple instructions:

- Call VSSI, Inc. for complete instructions (800-299-9525)
- A sales representative will give you a Return Authorization Number
- If a Restocking Fee applies, you will be informed at this time
- Label the boxes with this Return Authorization Number  
(All items must have a Return Authorization Number)
- Return the items, postage/freight prepaid

If necessary, the VSSI sales representative will assist you with freight arrangements.

Note: Custom orders and/or custom colors may not be returned.



#1 Civil War Road - Area 5 • P.O. Box 431 • Carthage, MO 64836  
1-800-299-9525 • fax 417-358-4716  
email [vssi@vssi.com](mailto:vssi@vssi.com) • [www.vssi.com](http://www.vssi.com)