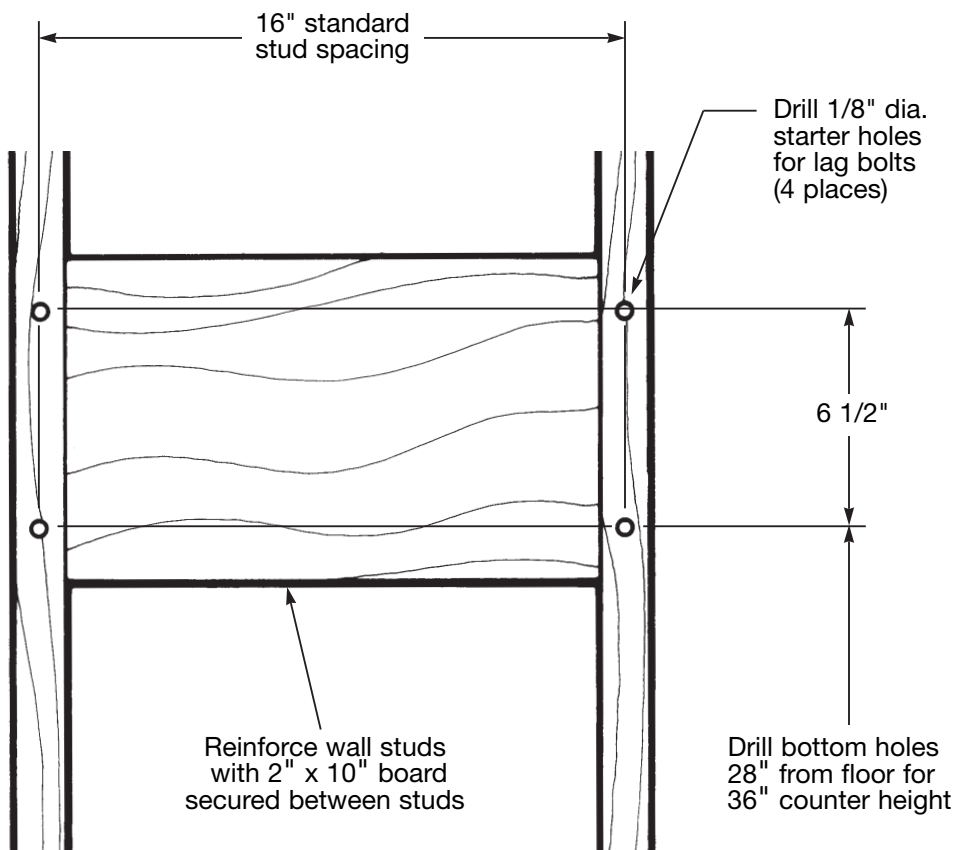


# INSTALLING THE FOLDING WALL MOUNT EXAM TABLE

**PLEASE READ ALL MOUNTING INSTRUCTIONS CAREFULLY! IMPROPER INSTALLATION MAY RESULT IN INJURY OR DAMAGE TO THE PRODUCT.**

Hardware has been included for mounting the folding wall mount exam table into walls with wood studs. You should have four 3/8" diameter 3" long lag bolts and four flat washers.

Begin by determining where the table will be installed. The mounting plate of the table is pre-drilled with four holes for bolting the table to the wall. Holes are 16" apart to correspond with standard wall stud placement. If not placing the wall mount table to align with existing wall studs, modifications to the wall will be necessary. Even when mounting into studs we recommend reinforcing the wall by securing a board between the studs.

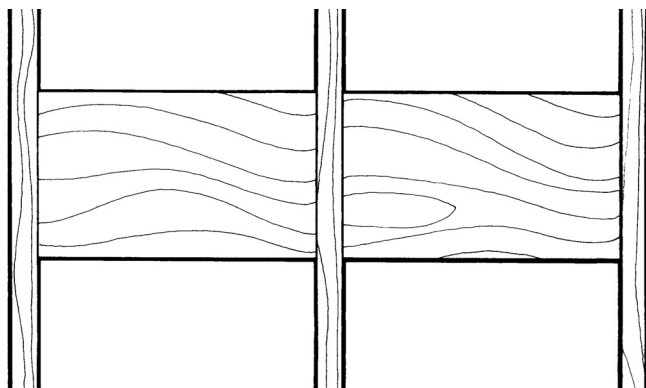


Pre-drill holes for the lag bolts as shown. To mount the table at standard 36" counter top height, drill the bottom holes at 28" from floor level.

When bolting the table to the wall, place large flat washers between the bolt head and table mounting plate.

If mounting the table to a masonry wall, appropriate anchor hardware should be used.

**FOR YOUR SAFETY - DO NOT EXCEED 150 LBS WEIGHT ON THE TABLE**



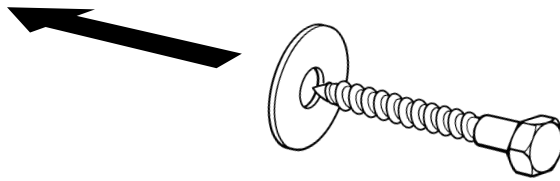
If the folding wall mount exam table is to be mounted such that it does not correspond with the wall studs, secure 2" x 10" boards between wall studs as a mounting surface.

**PLEASE SECURE PROPERLY - THE FOLDING WALL MOUNT TABLE IS ONLY AS STURDY AS ITS MOUNTING!**

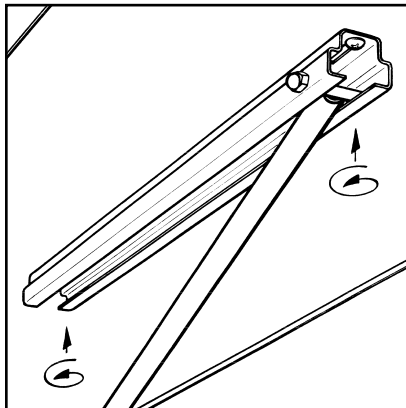
# LEVELING THE FOLDING WALL MOUNT EXAM TABLE



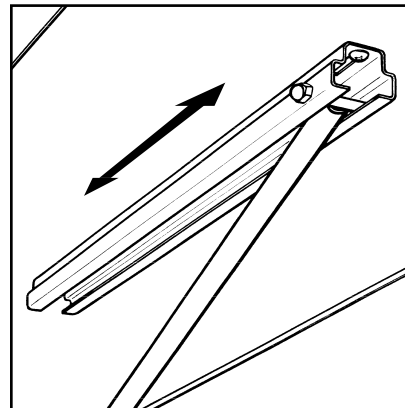
When bolting the table to the wall, place large flat washers between the bolt head and the table mounting plate.



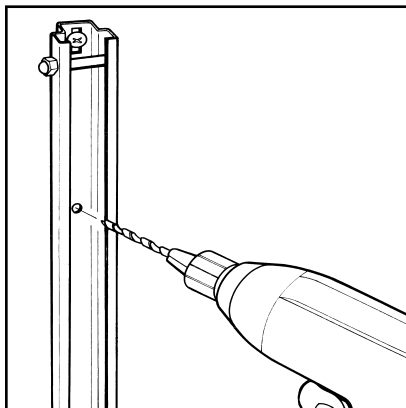
## DRILL AND INSERT SCREW AS SHOWN TO INSURE THAT THE TABLE REMAINS LEVEL



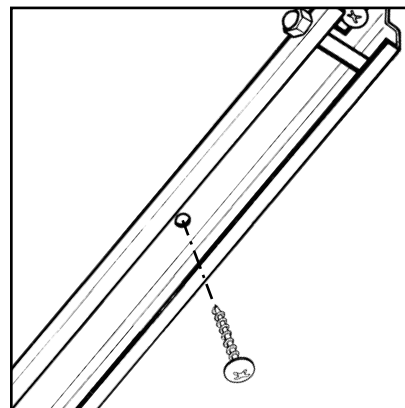
**1.**  
If top is not level after mounting - Loosen screws at each end of the slide bracket.



**2.**  
Reposition the slide bracket as necessary until the table top is level, then tighten screws.



**3.**  
Drill a pilot hole 1/8" diameter, 1/2" deep in the wood through the center hole of the bracket.



**4.**  
Install the 1/2" screw (included) into the pilot hole to hold the bracket in place.

TOLL FREE 1-800-299-9525  
fax 417-358-4716  
www.vssi.com  
e-mail vssi@vssi.com

#1 Civil War Road - Area 5  
P.O. Box 431  
Carthage, MO 64836

**VSSI, INC.**