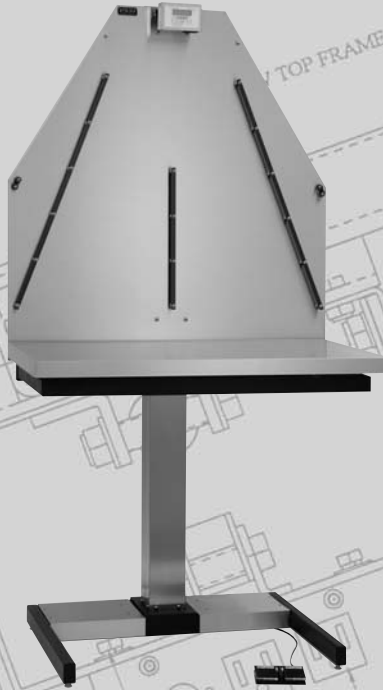




Electric Lift Exam Table



Features & Operation

Table of Contents

Pre-Installation	2
Parts Identification	2-3
Installation	3
Installation with Scale Option	4
Scale Features/Operation	4-5
Troubleshooting	5
Care & Cleaning	6
Specifications	6
Product Warranty	7

Pre-Installation

Thank you for purchasing the Electric Lift Exam Table!

Open the package carefully. Please inspect the shipping carton and contents for any visible damage. This is important in the event that any breakage has occurred during transit.

The Electric Lift Exam Table is fully assembled and contained within one carton on a pallet. Do not attempt to move the table by yourself - it is very heavy! Improper handling may result in injury to yourself or damage to the product.

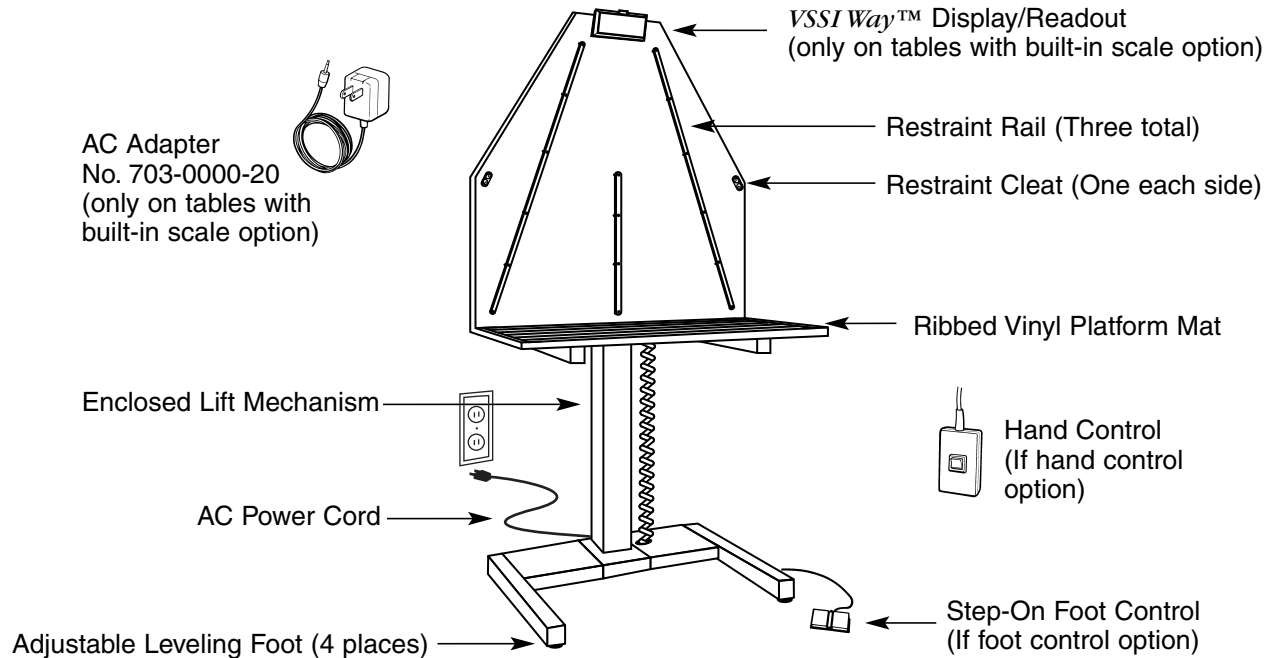
Note: If ordered with optional built-in *VSSI Way™* scale, the scale display and cords are contained within a smaller box

within the carton on pallet. The display will need to be plugged into the power outlet and mounted onto the Electric Lift Exam Table. See installation instructions.

Refer to the drawing below to identify parts.



Parts Identification



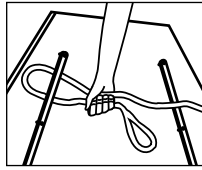
No. 101-5640-01
No. 101-5640-07
No. 110-0310-00
No. 110-0310-01

Electric Lift Exam Table with Hand Control
Electric Lift Exam Table with Foot Control
Electric Lift Exam Table with Scale with Hand Control
Electric Lift Exam Table with Scale with Foot Control

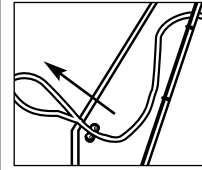
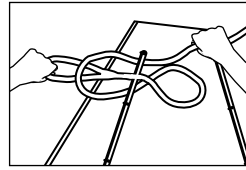
Parts Identification *continued*

Restraint Options

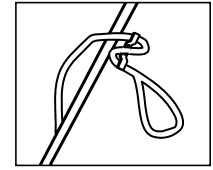
Animals can be restrained on the Electric Lift Exam Table using one of these three methods:



1. Make a loop with the leash and thread it behind the restraint rail. Bring the end of the leash through the loop and pull both ends of the leash to tighten.



2. Thread leash behind restraint rail and through restraint cleat.



3. Bring leash around the back of the table and secure to figure eight tie-down.

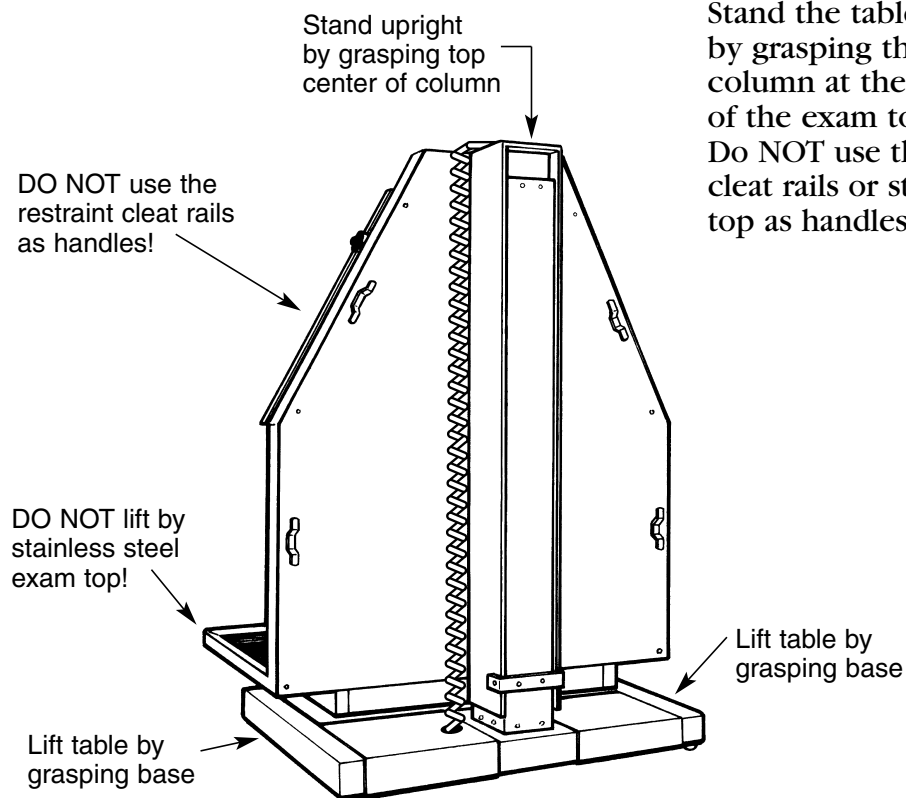
Installation

After removing the table from its packaging, the table is ready to be placed in the desired position within your facility. The table is very heavy, so we recommend using a four-wheeled furniture cart to make moving easier. If a cart is not available we suggest having four strong people to lift and move the table.

To Lift the Electric Lift Exam Table:

When moving the electric lift exam table, NEVER lift the table by the stainless steel top! Lower the table top to its lowest position. This will be the position the table has arrived in.

Stand the table upright by grasping the lift column at the top center of the exam top back. Do NOT use the restraint cleat rails or stainless steel top as handles!

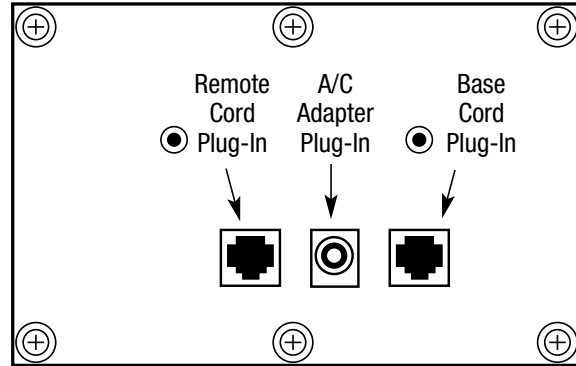


Installation with Scale

Refer below for connecting instructions if installing a lift table with the optional VSSI Way™ scale built-in.

1. Remove the scale/readout display from the small box that was enclosed within the carton on the pallet.
2. Plug the AC adapter cord and display cord into the back of the scale readout/display. (The display cord will be the straight cord extending from the exam top.)
3. Plug the A/C adapter into a 110v power outlet.

4. Hang the scale readout/display over the top back of the stainless steel



Back view of Display/Readout

Scale Features/Operation

Using The Control Panel:



Push to turn unit on. Display shows the following:

- ^ ^ ^ ^ - self test
- vssi - checks display segments
- u 1.7 - software revision
- b xx.x - battery voltage (varies with AC plug in and internal 9v battery.) A reading of 6.0v indicates the need for battery replacement; the unit will shut off at a reading of 5.5v.
- 0.0 - ready to weigh



Push and hold until display indicates unit shift. Display will show "conv" until the conversion is complete.



Push the RECALL button - The display will show the message "rECL" then alternately flash between the last stable weight and the "rECL" message. Press ON/ZERO button to return to normal weighing. Works only with hold function active.

Features:

Tare Function:

Any weight within the scale capacity can be zeroed out by pressing the ON/ZERO button. When the weight is removed, the display flashes the tared weight. Press ON/ZERO button to return to normal weighing.

Weighing Function:

Display will blank out until a close range of the weight is reached. With the hold function active, the display will show the stable weight and the "hold" indication. The displayed weight will lock until the weight is removed.

continued

Scale Features/Operation continued

Weight Hold:

Press and hold the ON/ZERO button. While holding the ON/ZERO button, press and hold the RECALL button. Display will show “zero” then “h on” or “h off”. Release buttons when selection is made. Default setting is “h on”.

Automatic Shut Off:

In AC mode, the indicator will shut off in one hour. In battery mode, the indicator will shut off in one minute.

Calibration:

Press and hold the ON/ZERO button. While holding the ON/ZERO button, press and hold the LB/KG button. After approximately 3 seconds the message on the display will change from “zero” to “CAL”. Release both buttons and the display will show “C0” message.

Make sure the platform is empty and press the ON/ZERO button. The indicator will show a count down from “16” to “1” then will show “C 50”. Place a 50 lb weight on the platform and press the ON/ZERO button. The indicator will show a count down from “16” to “1” then will show “50.0”. The indicator is now calibrated and has automatically returned to normal weight mode.

Switching from AC to DC:

You must first unplug the AC adapter from the wall. Second, unplug the cord from the display. Then press the ON/ZERO button to turn the indicator back on.

Switching from DC to AC:

Plug the AC adapter into a standard wall socket and the cord into the AC outlet on the back of the display. Then press the ON/ZERO button to turn the indicator back on.

Troubleshooting

Indicators:

Messages on the readout indicate operating condition:

OL Indicates weight on scale exceeds capacity or malfunction of scale display.

OPEN Indicates malfunctioning of base or cable, or the scale needs to be calibrated.



Indicates batteries are discharged.

In The Event Of A Problem:

In the event that a problem occurs, a VSSI factory technician is ready to assist you. In order to save time, please check the following items before calling:

- Does the readout display have a message that indicates what the problem is? Refer to “Indicators” at left for descriptions.
- Check all cables/connections.
- Unplug AC power and battery, then plug-in again to reset the scale.

VSSI Tech Support: 1-800-299-9525

Care & Cleaning

The Electric Lift Exam Table may be cleaned with any commercially available product recommended for use on stainless steel. Frequent cleaning will prolong the life and help maintain the natural luster of the stainless steel.

To prevent scratching, use a soft cloth to clean the stainless steel exam surface. If scrubbing is necessary, use a nylon or plastic type scrubber. When cleaning, always rub in the direction of the "grain" of the metal.

To remove minor scratches, we recommend using a 3M ScotchBrite® scouring pad rubbed lightly in the direction of the "grain" of the metal.

Never use steel wool or steel brushes when cleaning stainless steel. Steel particles may become embedded into the stainless steel and cause rust.

Avoid use of chlorine bleach for cleaning. Chlorides, bromides, iodides and thiocyanates will cause pitting, corrosion and discoloration of the metal. If using bleach, clean thoroughly with water to completely remove bleach residue.

Avoid excessive moisture. The Electric Lift Exam Table contains electronic components that may be damaged by excessive exposure to moisture. When cleaning the table or mopping the floor around the table, do not use excessive water or leave the table in standing water.

Specifications

- Exam Surface Dimensions: 44" x 22"
Height adjusts 7" to 38 1/2"
- Overall Dimensions: 44" x 31"
Max height 84 1/2" when raised
- Lift Capacity: 225 pounds
- Scale Capacity (optional): 300 pounds
- Scale Accuracy: Within 0.2% at 300 pounds
- Electrical: Operates on standard 110 VAC

CAUTION

Never attempt to exceed the lift capacity of 225 pounds.

**Operator should never place foot
on the table's base or under the table top.**

Product Warranty

This product is warranted for 1 year from the date of delivery to the original purchaser only. If equipped with the built-in VSSI Way™ Scale, Scale is warranted for 2 years. Warranty is only applicable if customer complies with all instructions and specifications furnished by VSSI, Inc. relating to installation, care, and application. Customer agrees that they will not modify, misapply, or misuse product in any manner which deviates from the VSSI, Inc. instructions. Any repairs, alterations, or services provided by parties other than VSSI, Inc. or its authorized representatives may void warranty. The buyer is responsible for all freight charges on returned items.

Product Satisfaction Policy

In the event that the customer is not fully satisfied with the products purchased, VSSI, Inc. may, at its own discretion, arrange for the customer's account to be credited (excluding shipping charges) or replace the product. The customer must notify VSSI of any claim of nonconformity or defect in writing within 30 days from the date of receipt. The product must be returned to VSSI in its original packaging, undamaged and showing no unusual wear within 20 days of the customer's written notice.

To return an item, follow these simple instructions:

- Call VSSI, Inc. for complete instructions (800-299-9525)
- A sales representative will give you a Return Authorization Number
- If a Restocking Fee applies, you will be informed at this time
- Label the boxes with this Return Authorization Number
(All items must have a Return Authorization Number)
- Return the items, postage/freight prepaid

If necessary, the VSSI sales representative will assist you with freight arrangements.

Note: Custom orders and/or custom colors may not be returned.



#1 Civil War Road - Area 5 • P.O. Box 431 • Carthage, MO 64836
1-800-299-9525 • fax 417-358-4716
email vssi@vssi.com • www.vssi.com