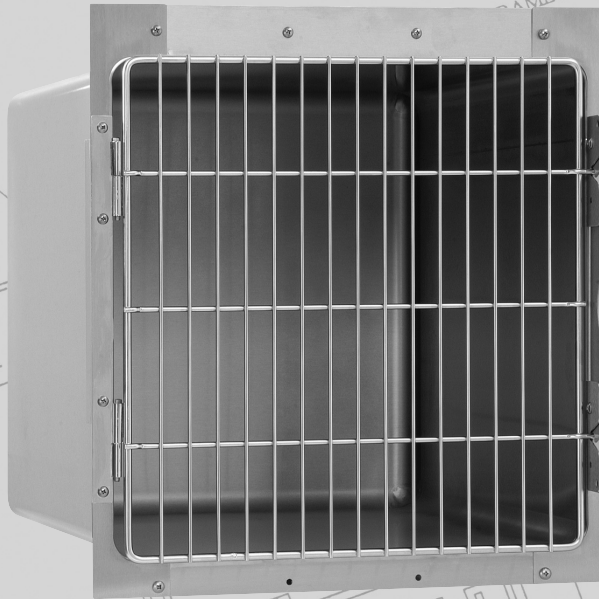


VSSI

Stainless Steel Cage



Installation Manual

Table of Contents

Pre-Installation	2
Parts Identification	2-3
Base Construction	3
Assembly	4-6
Optional Side Panel Installation	5
Top Panel Installation	6
Door/Latch Alignment	7
Back Strap Support Installation	7
Optional Center Divider Installation	8
Care & Cleaning	8
Product Warranty	9

Pre-Installation

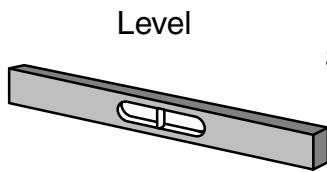
**CLAIMS AGAINST SHIPMENT
DAMAGE MUST BE MADE DIRECT
TO VSSI WITHIN 7 DAYS OF
RECEIPT OF MERCHANDISE.**

Thank you for purchasing VSSI Stainless Steel Cages.

Open packages carefully. Please inspect the shipping cartons and contents for any visible damage. This is important in the event that any breakage has occurred during transit.

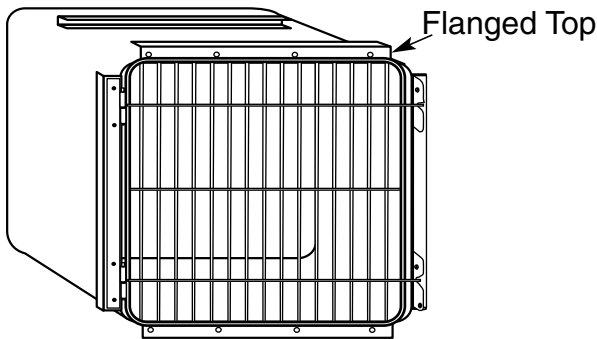


Tools needed for assembly:

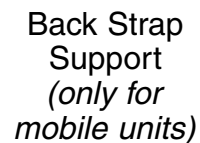
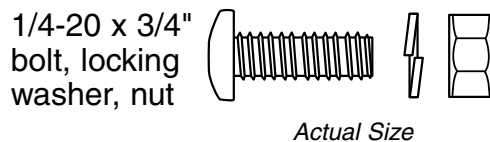
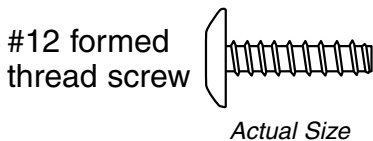
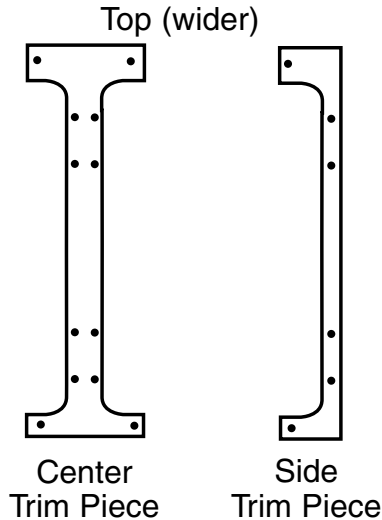


Leather Gloves Are Recommended

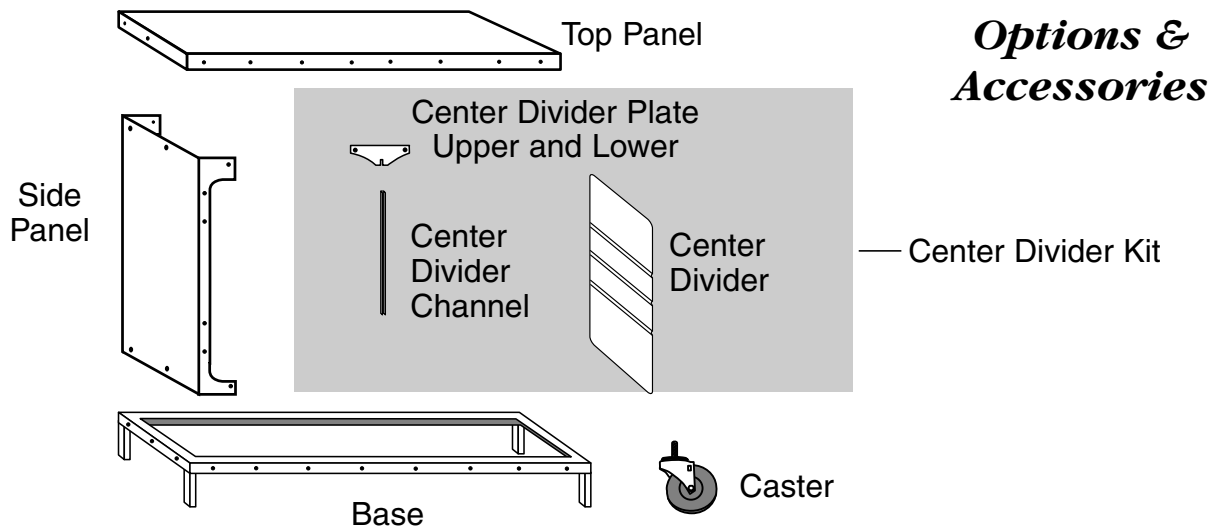
Parts Identification



Cage
See cage layout sheet for exact number of units



Parts Identification *continued*

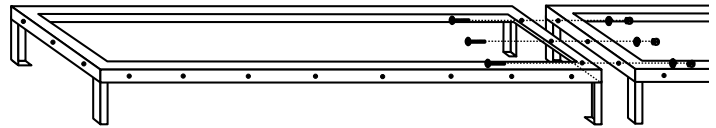
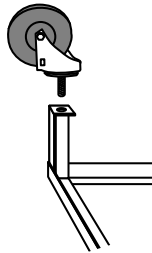


Base Construction

Metal Base:

Caster installation:

Turn the base up side down and simply screw the caster stud into the threaded hole of the base leg.



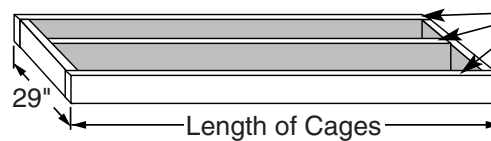
Multiple Unit Linking:

If several bases have been ordered, they will need to be bolted together using 1/4-20 x 3/4" bolt, locking washer and nut to help insure stability.

If a metal base option has not been ordered, a base will need to be constructed using one of the following two methods:

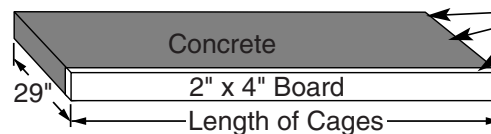
2" x 4" Construction:

Use treated 2 x 4 lumber. Cut and assemble as shown at right, including a center support. The overall length of the base should match the length given on the cage layout sheet.



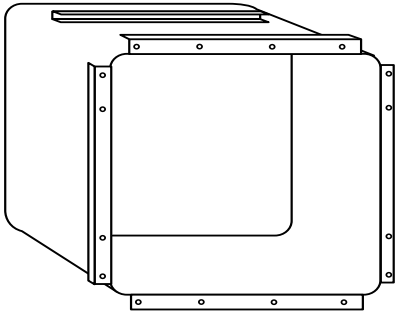
Concrete Construction:

Concrete needs to be formed as shown at right. Enough room should be allowed to leave a treated 2" x 4" on the front of the base (this provides a surface to screw into with wood screws when assembling the cages).

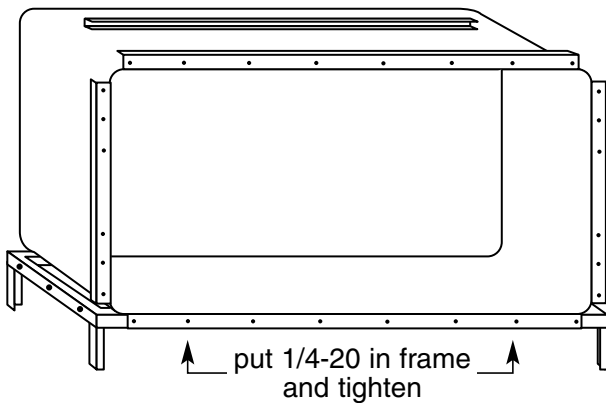


VSSI suggests running foam tape down the length of these runners, 1/8" thick, to help in sound deadening

Assembly



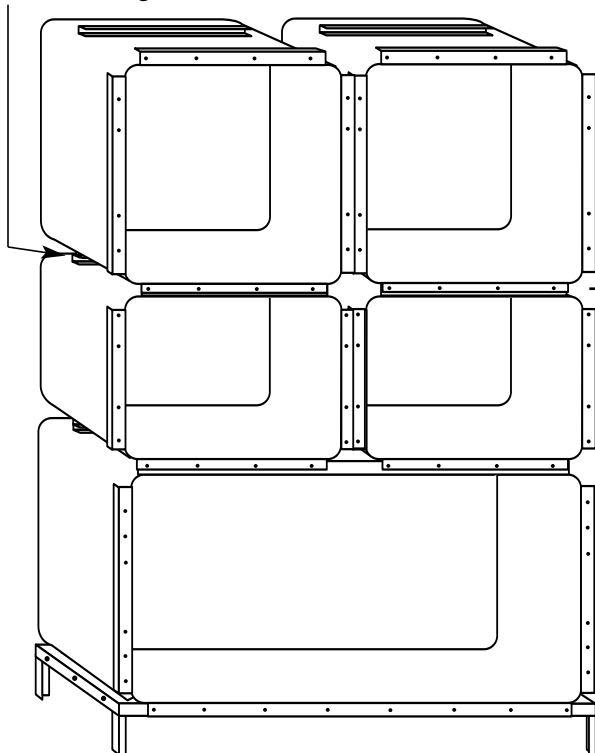
1. All cage bank are shipped with the doors, latches and hinges pre-installed. These must all be removed before assembly.



2. Use level to ensure base is straight, checking front, back and sides. If using metal frame base feet can be adjusted to make it level.

3. Position the first row of cages on the base (refer to the cage layout sheet for identification of the correct bank(s) for the first row.

rear locking channel detail on right below

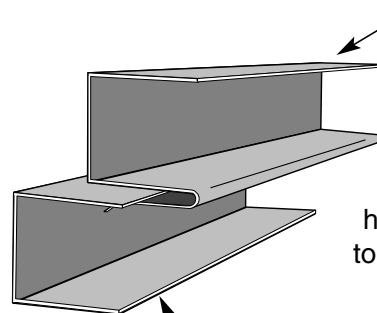


4. Place the next row of cages on top of the lower row of cages utilizing the pre-installed rear channels to interlock them in place. (see below for detail of locking channel) **Install but do not tighten screws as you add to the cage bank.**

continued

Overlap the flange from the top cage in front of the flange of the cage below it

Pre-installed on bottom side of cage

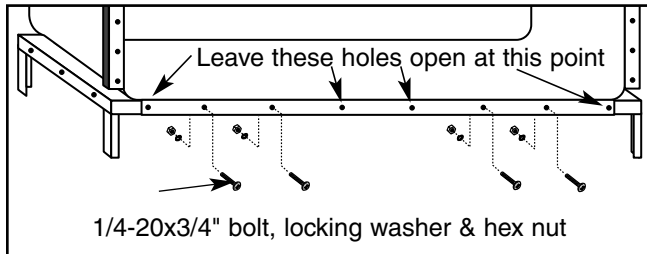


Locking channels are pre-installed on the outside of the cages. They will hold the complete unit together while finishing the assembly.

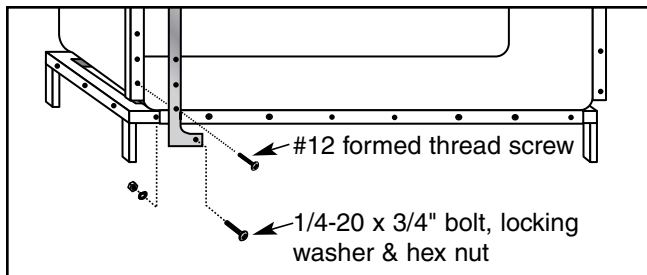
Pre-installed on top side of each cage

Assembly continued

NOTE: WHEN ASSEMBLING CAGES FOR THE FIRST TIME, ALWAYS LEAVE NUTS, BOLTS AND SCREWS LOOSELY FITTED SO ADJUSTMENTS CAN BE MADE. WHEN COMPLETELY ASSEMBLED, RETURN AND FIRMLY TIGHTEN.



Note: If using a wooden base, replace bolts, locking washers and nuts along the base with 3/4" wood screws (not included).

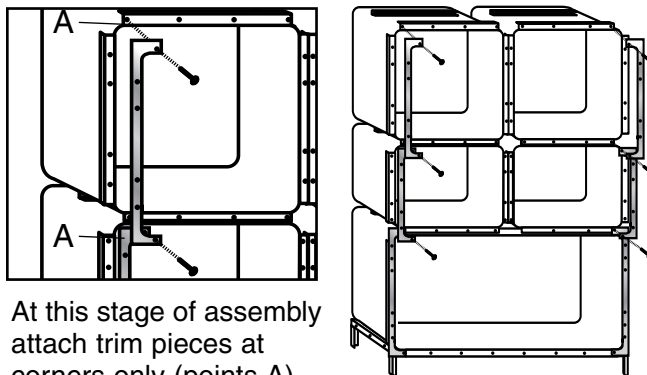


Note: If using a wooden base, replace bolts, locking washers and nuts along the base with 3/4" wood screws (not included).

5. It will be helpful to read ahead and note where trim pieces, hinges, and latches will be placed so you don't unnecessarily insert & remove bolts and screws before these items are reattached.

6. After lower row of cages are secured to the base, install trim pieces on bottom cage bank using hardware as shown in the illustration at left (again it will be helpful to note where other trim pieces, hinges and latches will go so you don't unnecessarily insert & remove bolts and screws before these items are reattached).

Note: If optional side panels have been ordered replace trim strip instructions with optional side panel instructions below.



At this stage of assembly attach trim pieces at corners only (points A)

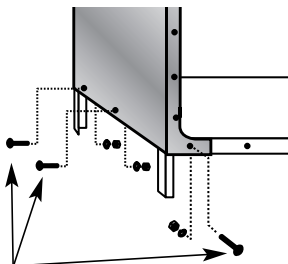
7. Next, install side trim pieces on the upper cages, allow trim pieces from upper row to overlap trim piece of lower row.

Note: If optional side panels have been ordered, there will be no side trim strips to install

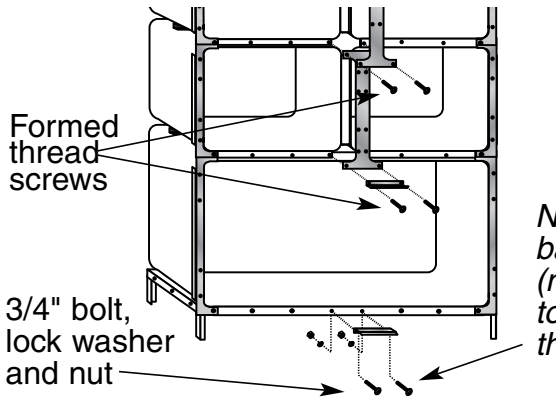
Optional Side Panel Installation

A. Working from the bottom up, install side panel as you would the side trim strip using 1/4-20 x 3/4" bolt, locking washer and hex nut to secure panel to the base frame. Use formed thread screws to secure the rest of the panel. **DO NOT EXPOSE THE ADHESIVE OF THE DOUBLE SIDED FOAM TAPE THAT IS INSTALLED ON YOUR SIDE PANEL AT THIS POINT.** *continued*

Note: if using a wooden base replace bolts, locking washers, and hex nuts along the base with 3/4" wood screws (not provided)

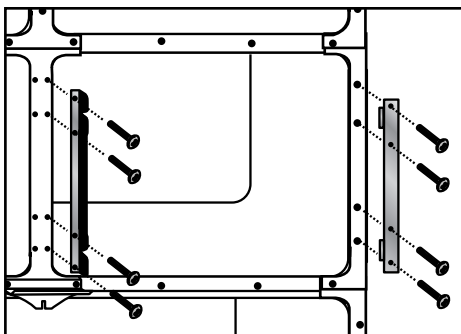


Assembly continued



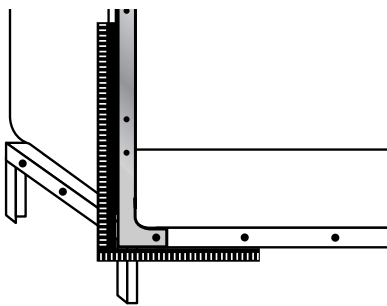
8. Next, install center trim pieces using hardware as indicated at left.

Note: If using a wooden base, wood screws (not included) will need to be substituted for these bolts



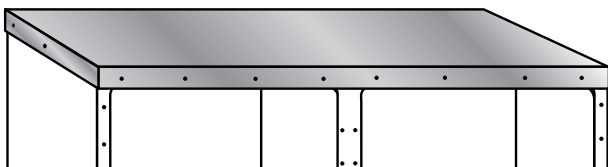
9. Reinstall all door latches and hinges. Using #12 formed thread screws. **DO NOT TIGHTEN SCREWS**

10. After all trim strips, latches, hinges and slam latch plates have been installed, insert formed thread screws into all remaining open attachment points. (If optional top panel has been ordered, leave the top row of holes open for installation of this panel later in the assembly process).



11. Use framing square and confirm that bank of cages is square. (you may need an extra person to help hold) **TIGHTEN ALL SCREWS EXCEPT DOOR LATCHES AND HINGE PLATES**

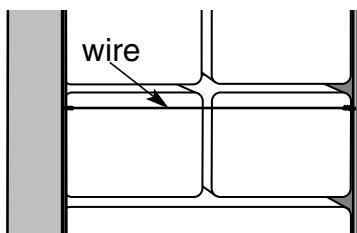
If side panel option was ordered expose the adhesive on the foam tape that is installed on the panel and firmly press against cage side.



12. **Optional Top Panel Installation (requires side panels)**

Install top panel. Place formed thread screws through holes in top panel and tighten

Use holes provide in side panels to string wire across the back of the cage bank. This will secure the back of the side panels. *wire not included*

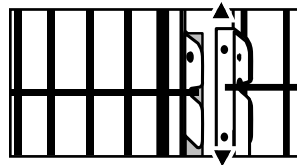
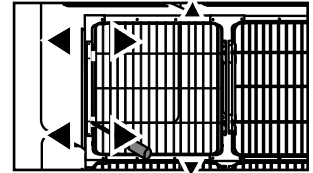
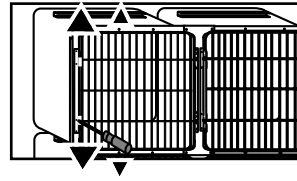


BACK VIEW

13. Hang all doors using hinge pins

Door/Latch Alignment

1. All cage doors should be centered over the cage opening. Hinge plate can be moved up and down to align the left side of the door.
2. Once the left side of the door is aligned, the hinge plate can be moved left or right to align the right side of the door. **Firmly tighten screws.**
3. Once door has been straightened, the latch may need adjusting so door will properly close. Adjust so the horizontal bar protruding from the cage door is centered inside the "V" shape of the latch. After it is centered, firmly tighten the screws.



Double Door Alignment

1. **Follow the previously outlined steps to ensure the double doors are centered over the cage opening.**
2. Double door latch plate may need adjusted so doors will close properly. Simply loosen the two screws holding the top plate and slide it into place. Then tighten screws. Do the same on the bottom plate

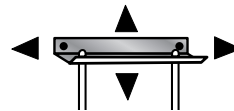
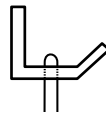


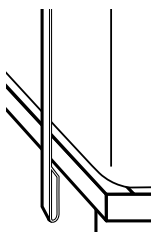
Plate can be adjusted in any direction to ensure proper alignment



Vertical latch rod should extend approx. 1/4" above plate and be centered inside the slot.

Back Strap Support Installation (caster bases only)

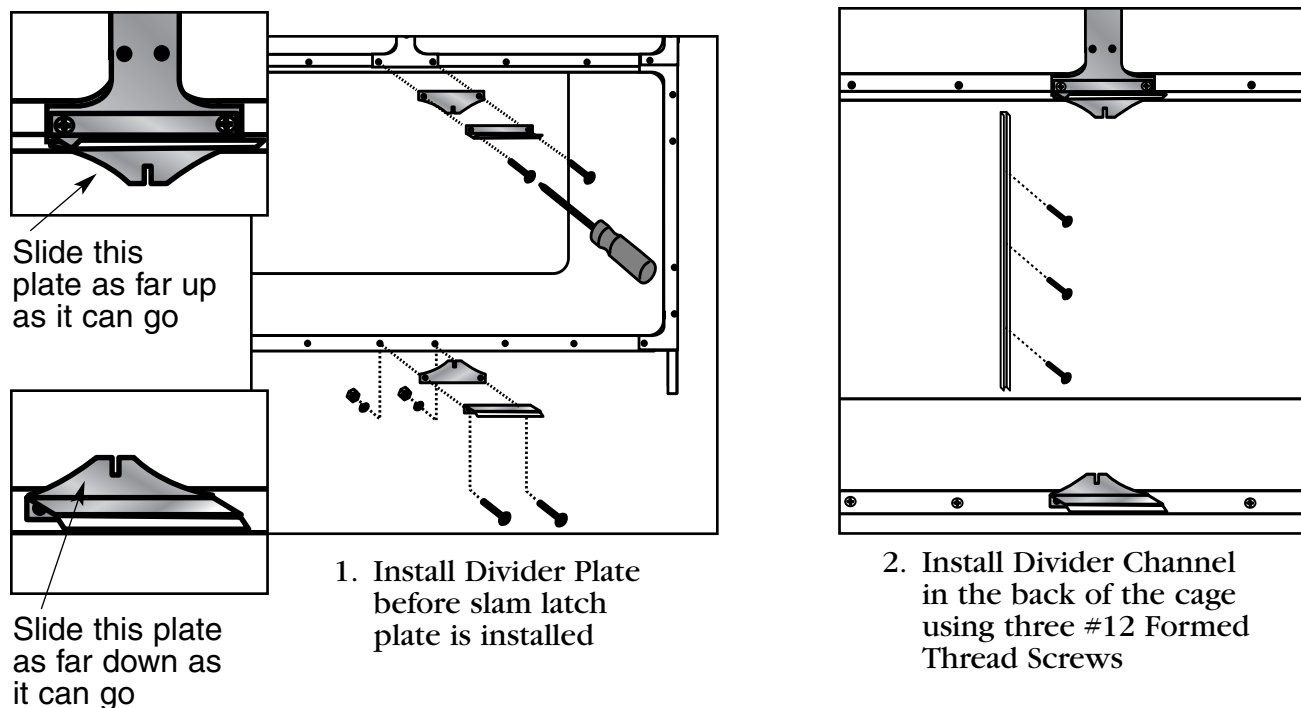
1. Two back support straps have been provided on all caster bank assemblies with 48" cages stacked on top of each other. These straps secure the back of the lower two rows of cages to the base.
2. Hook the strap to the base.
3. Expose the adhesive of the tape and press against the back side of cage assembly.



4. If you have a short bank of cages and the back straps protrude above the top of the cages, simply bend the strap back and over the top side of the cage bank.

NOTE: DO NOT INSTALL BACK STRAPS UNTIL ALL CAGES ARE SQUARE AND DOORS HAVE BEEN ADJUSTED.

Optional Center Divider



Care & Cleaning

VSSI Stainless Steel Cages may be cleaned with any commercially available product recommended for use on stainless steel. Frequent cleaning will prolong the life and help maintain the natural luster of the stainless steel.

To prevent scratching, use a soft cloth to clean the cage surface. If scrubbing is necessary, use a nylon or plastic type scrubber. When cleaning, always rub in the direction of the "grain" of the metal.

To remove minor scratches, we recommend using a 3M ScotchBrite® scouring pad rubbed lightly in the direction of the "grain" of the metal.

Never use steel wool or steel brushes when cleaning your cage, steel particles may become embedded into the stainless steel and cause rust.

Avoid use of chlorine bleach for cleaning. Chlorides, bromides, iodides and thiocyanates are not acceptable cleaners for stainless steel products. They will cause pitting, corrosion and discoloration of the metal.

USE OF SUCH PRODUCTS WILL VOID WARRANTY ON ALL STAINLESS STEEL PRODUCTS.

Product Warranty

This product is warranted for 1 year from the date of delivery to the original purchaser only. Warranty is only applicable if customer complies with all instructions and specifications furnished by VSSI, Inc. relating to installation, care, and application. Customer agrees that they will not modify, misapply, or misuse product in any manner which deviates from the VSSI, Inc. instructions. Any repairs, alterations, or services provided by parties other than VSSI, Inc. or its authorized representatives may void warranty. The buyer is responsible for all freight charges on returned items.

Product Satisfaction Policy

In the event that the customer is not fully satisfied with the products purchased, VSSI, Inc. may, at its own discretion, arrange for the customer's account to be credited (excluding shipping charges) or replace the product. The customer must notify VSSI of any claim of nonconformity or defect in writing within 30 days from the date of receipt. The product must be returned to VSSI in its original packaging, undamaged and showing no unusual wear within 20 days of the customer's written notice.

To return an item, follow these simple instructions:

- Call VSSI, Inc. for complete instructions (800-299-9525)
- A sales representative will give you a Return Authorization Number
- If a Restocking Fee applies, you will be informed at this time
- Label the boxes with this Return Authorization Number
(All items must have a Return Authorization Number)
- Return the items, postage/freight prepaid

If necessary, the VSSI sales representative will assist you with freight arrangements.

Note: Custom orders and/or custom colors may not be returned.



#1 Civil War Road - Area 5 • P.O. Box 431 • Carthage, MO 64836
1-800-299-9525 • fax 417-358-4716
email vssi@vssi.com • www.vssi.com